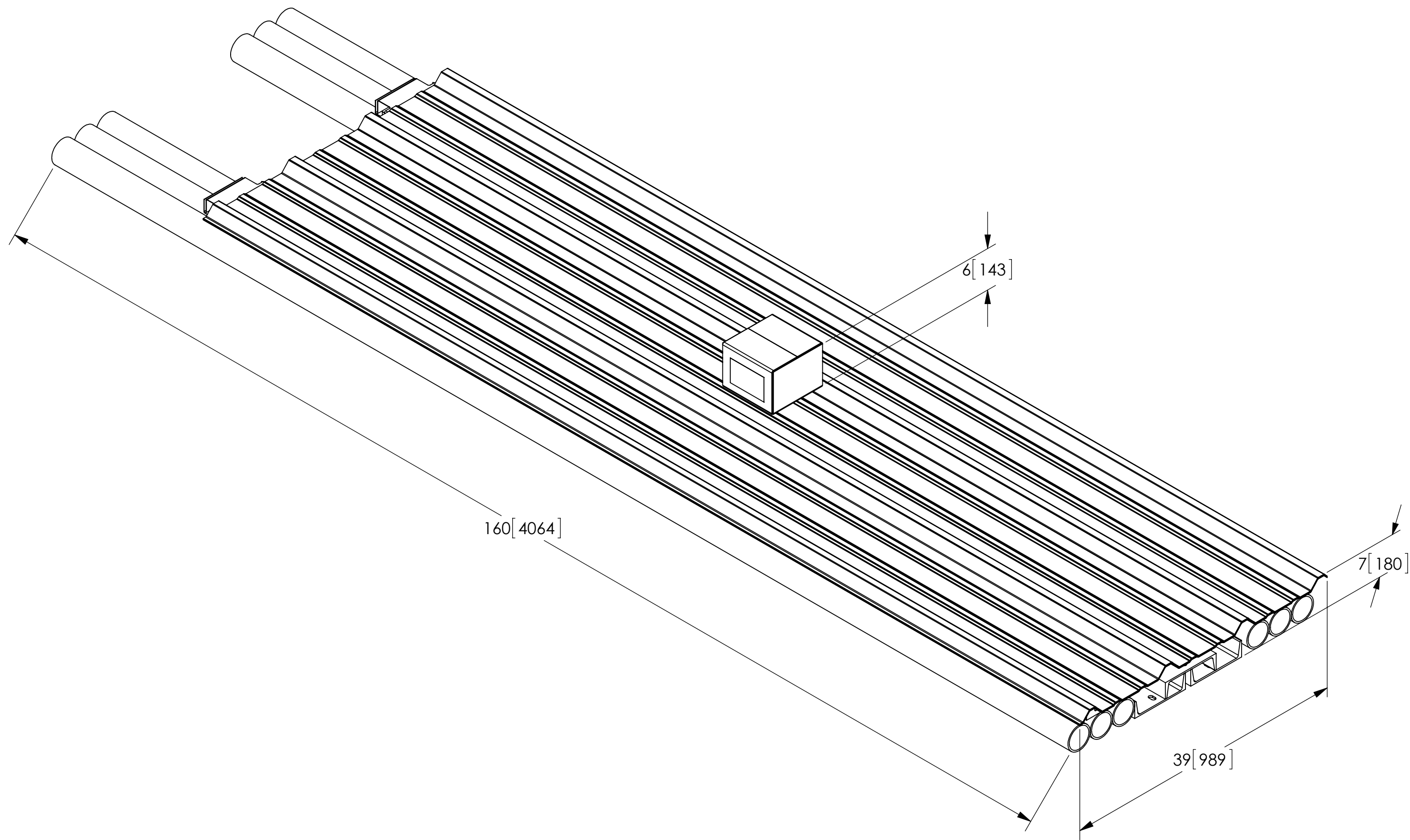


NOTES:  
1.0 CUSTOMER ASSEMBLY 2-4.

REVISIONS				
REV.	ECN	DESCRIPTION	BY	DATE
A	8000012501	INITIAL RELEASE	RJC	02/10/16



ITEM	PART NO.	DESCRIPTION	QTY.	WEIGHT	NOTE NO.
1	MF-130	3-1/2" O.D. X 160" L SCH 40 PIPE	6	101.38 LBS	
2	MTC381505	CHANNEL, 8" X 11.5, 134"	3	127.11 LBS	
3	MTC381506	CHANNEL, 18 GA, 8" X 1.8" X 68.6"	10	10.57 LBS	
4	RDR2636138	ROOF DECKING PBR 26 GA 36" X 138"	4	34.10 LBS	
5	MTC38151012HK1	HARDWARE KIT FOR MTC38151012	1	10.76 LBS	

DENSITY	0.28	lbs/in <sup>3</sup>
MASS	1242.43	lbs
VOLUME	4417.54	in <sup>3</sup>
SURFACE AREA		in <sup>2</sup>
HEIGHT		
LENGTH		
WIDTH		

COMMSCOPE, INC. OF NORTH CAROLINA									
TOLERANCES					SAP MATERIAL MASTER				
0 PLACE X ± .25		2 PLACE .XX ± .03			<b>MTC38151012</b>				
1 PLACE .X ± .06		ANGLES ± 2°							
FINISH					MATERIAL				
GALV A123					A36, A500, A568				
UNLESS OTHERWISE SPECIFIED DIMENSIONS ARE IN MILLIMETERS INTERPRET PER ISO STANDARDS HANDBOOK TECHNICAL DRAWINGS VOLUMES 1 & 2, THIRD EDITION (2002)	CE	NAME	DATE	TITLE					
	RW	RJC	02/10/16	<b>10'X12' CANOPY</b>					
	RV			SCALE		DOCUMENT NO.			
	AD			1:10		<b>MTC38151012</b>			
	RE	TP	02/10/16	ECN 8000012501					
SIZE	WORK AREA	MODEL		DRAWING			SHEET		
C		VERSION	STATUS	REVISION	VERSION	STATUS	REVISION	1 OF 4	

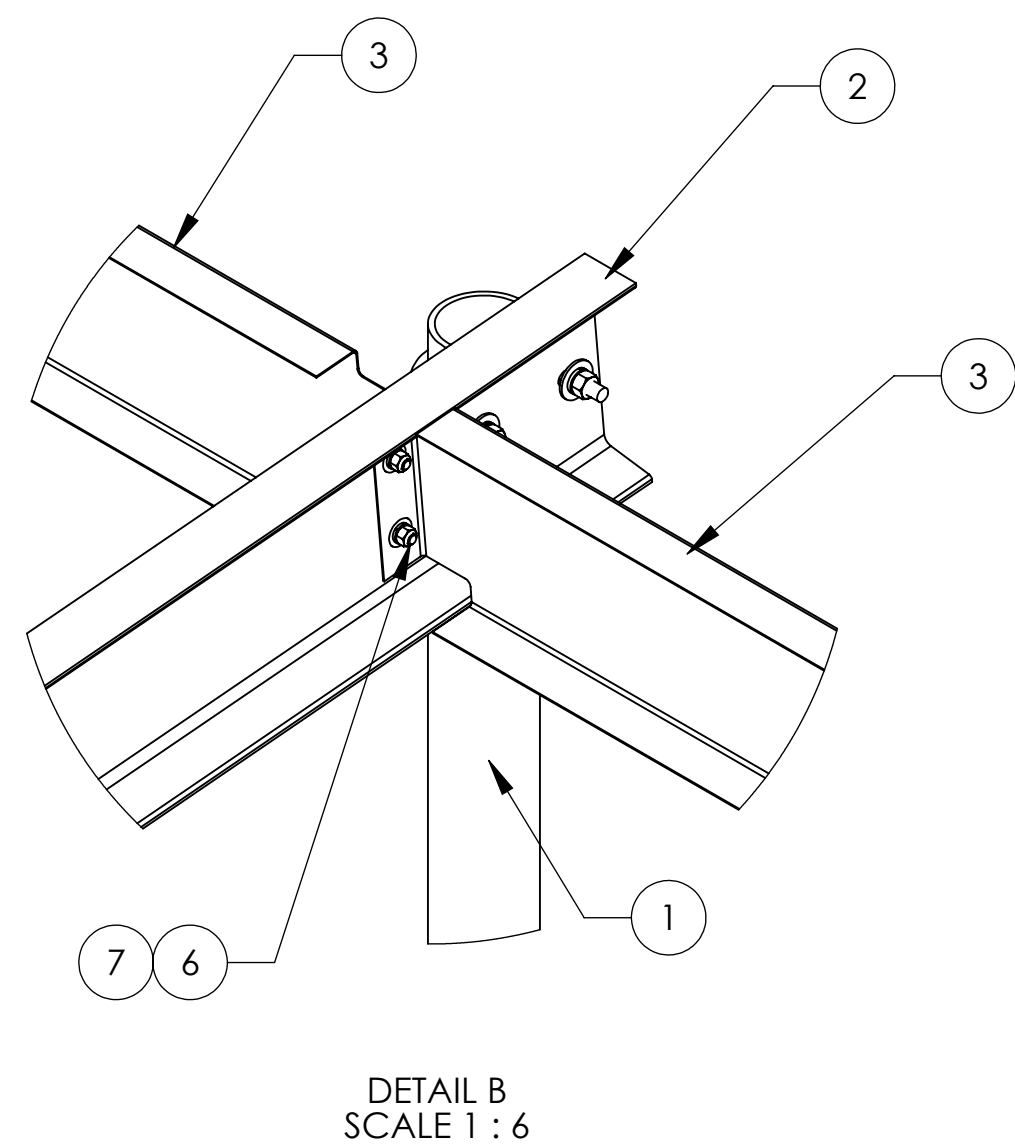
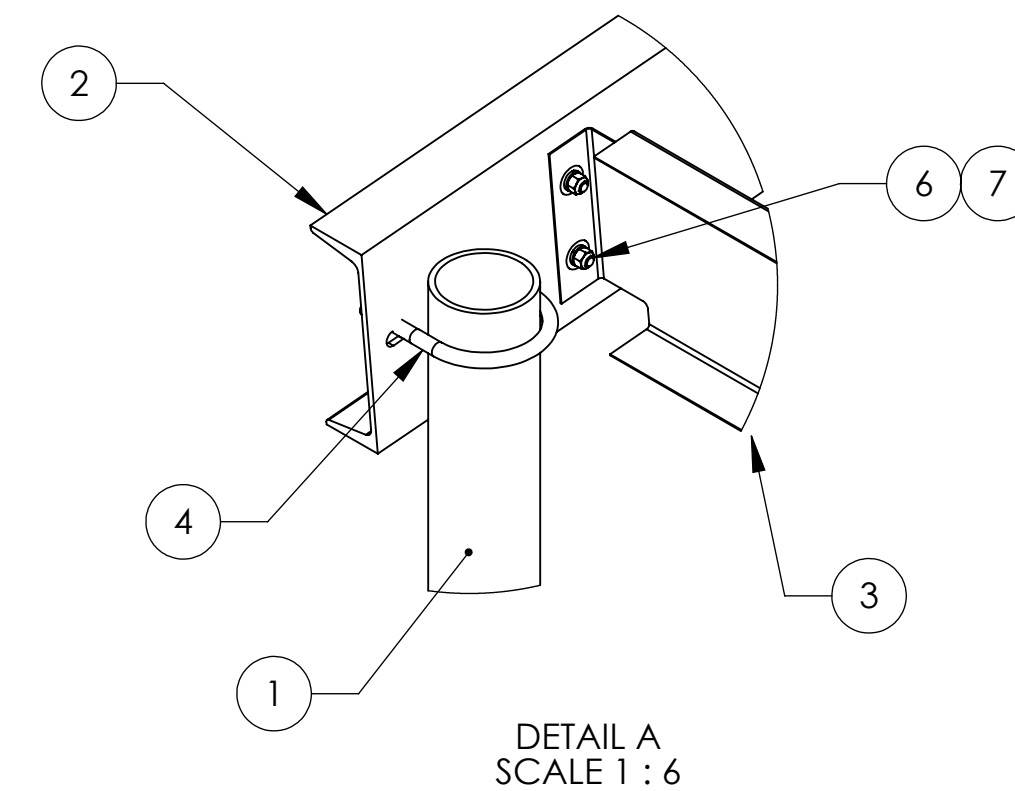
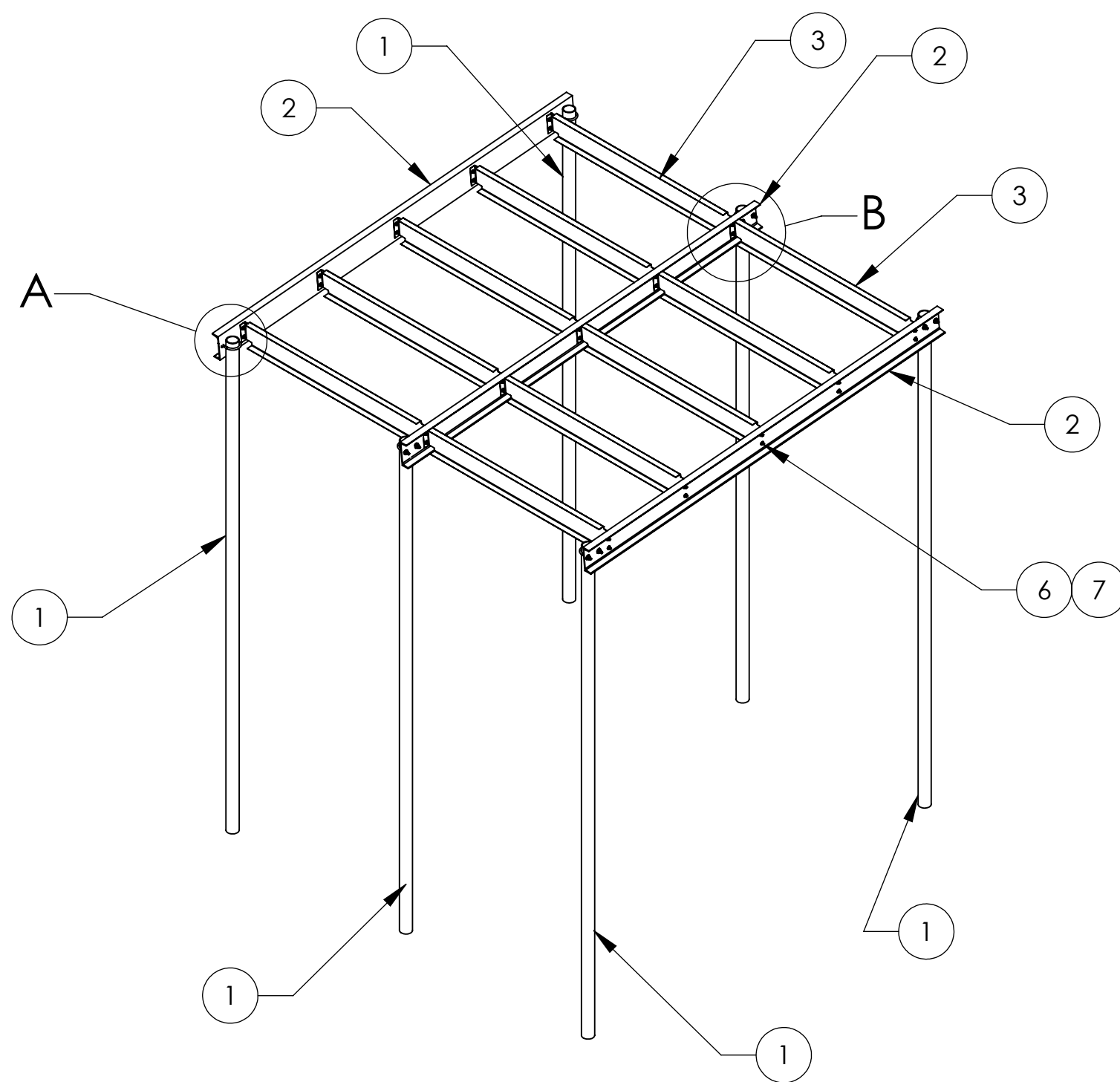
4

3

2

1

NOTES: 1.0 ROOF DECKING REMOVED FOR CLARITY.



ITEM	PART NO.	DESCRIPTION	QTY.	WEIGHT	NOTE NO.
1	MF-130	3-1/2" O.D. X 160" L SCH 40 PIPE	6	101.38 LBS	
2	MTC381505	CHANNEL, 8" X 11.5, 134"	3	127.11 LBS	
3	MTC381506	CHANNEL, 18 GA, 8" X 1.8" X 68.6"	10	10.57 LBS	
4	GUB-4355	1/2" X 3-5/8" X 5" GALV U-BOLT	6	0.70 LBS	
5	RDR2636138	ROOF DECKING PBR 26 GA 36" X 138"	4	34.10 LBS	
6	GB-03105	3/8" X 1" GALV BOLT KIT	30	0.05 LBS	
7	GWF-03	3/8" GALV FLAT WASHER	60	0.01 LBS	
8	MTC376202	12-24 X 1-1/2 SELF DRILLING SCREW	79	0.02 LBS	

COMMSCOPE, INC. OF NORTH CAROLINA			
TITLE <b>10' X 12' CANOPY</b>			
SIZE <b>C</b>	SCALE <b>1:38</b>	DOCUMENT NO. <b>MTC38151012</b>	
DRAWING		VERSION	REVISION
			A
			SHEET 2 OF 4

© 2015 CommScope, Inc. Confidential

4

3

2

1

4

3

2

1

NOTES:

D

D

C

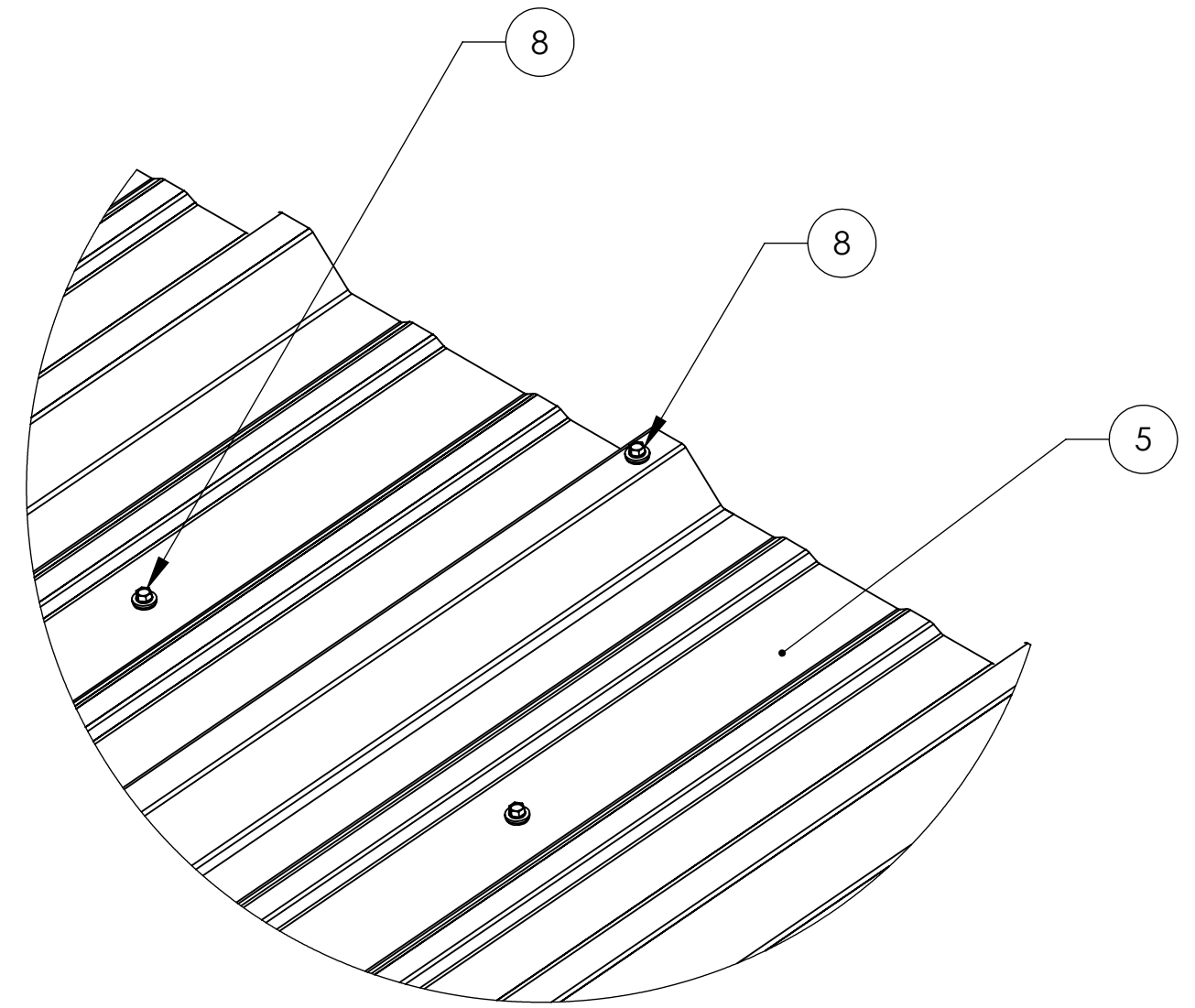
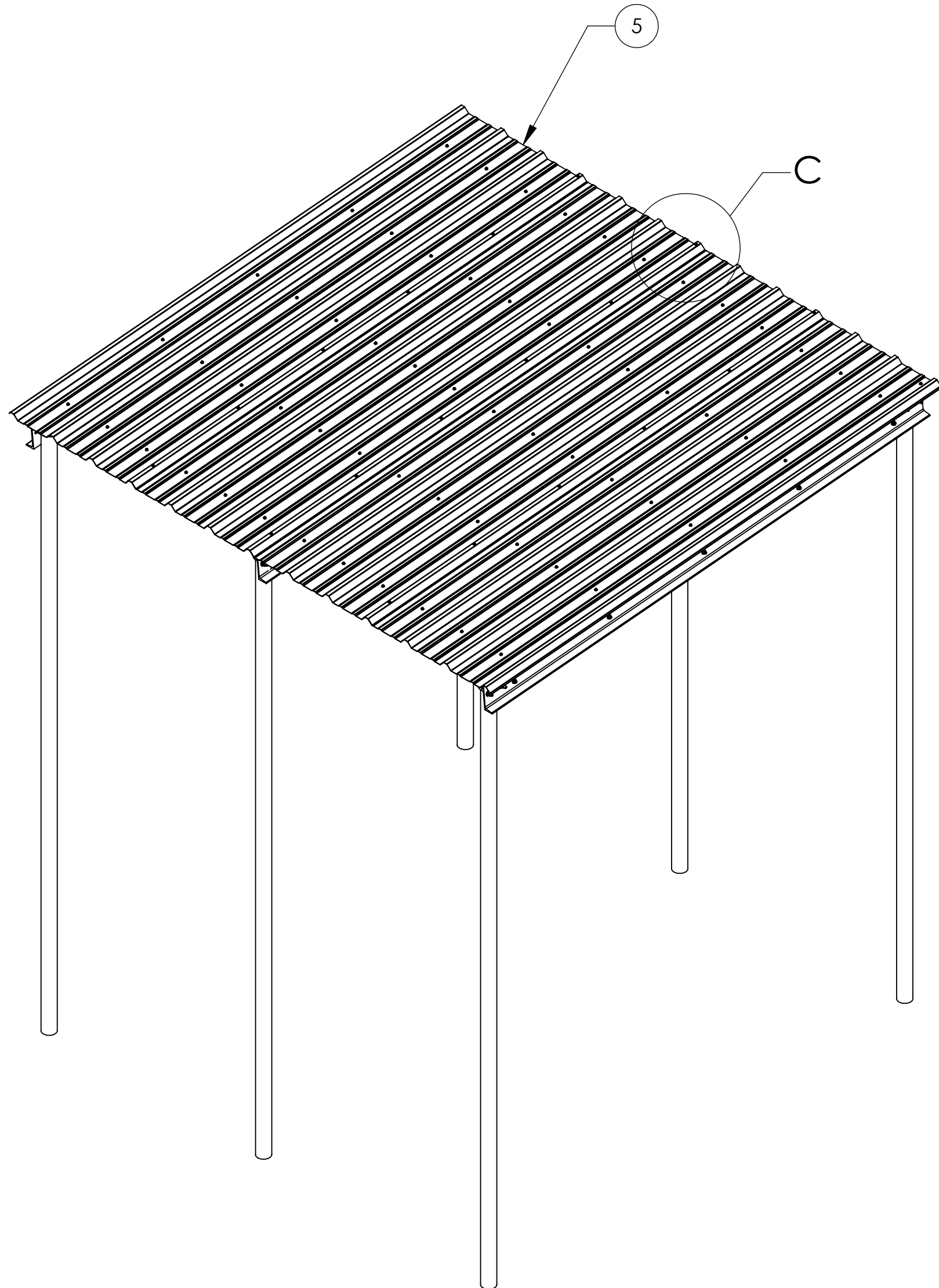
C

B

B

A

A



DETAIL C  
SCALE 1 : 4

COMMSCOPE, INC. OF NORTH CAROLINA

TITLE

10' X 22' CANOPY

SIZE  
**C**

SCALE  
**1:24**

DOCUMENT NO.  
**MTC38151012**



DRAWING			SHEET 3 OF 4
VERSION	STATUS	REVISION	
		A	

© 2015 CommScope, Inc. Confidential

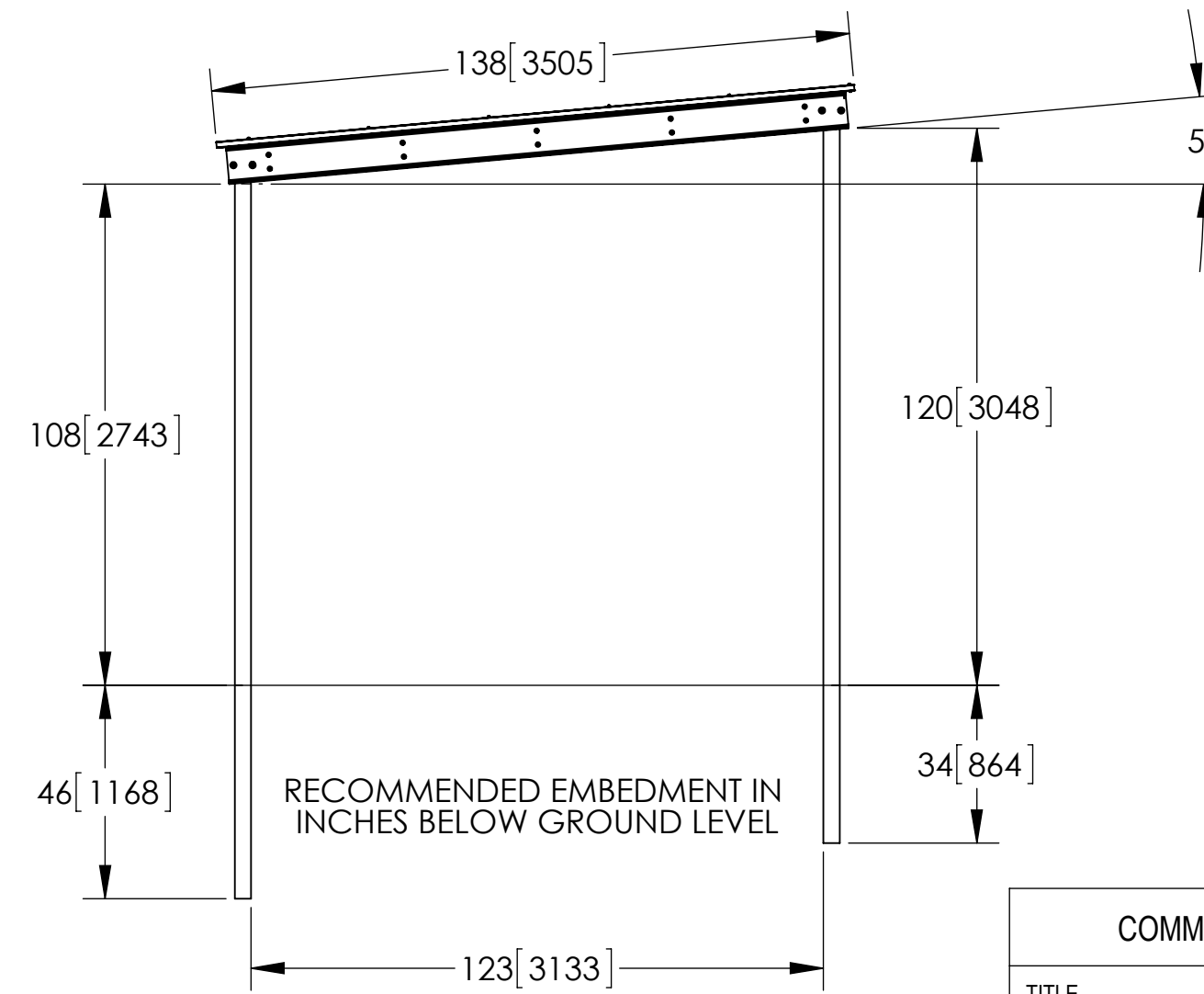
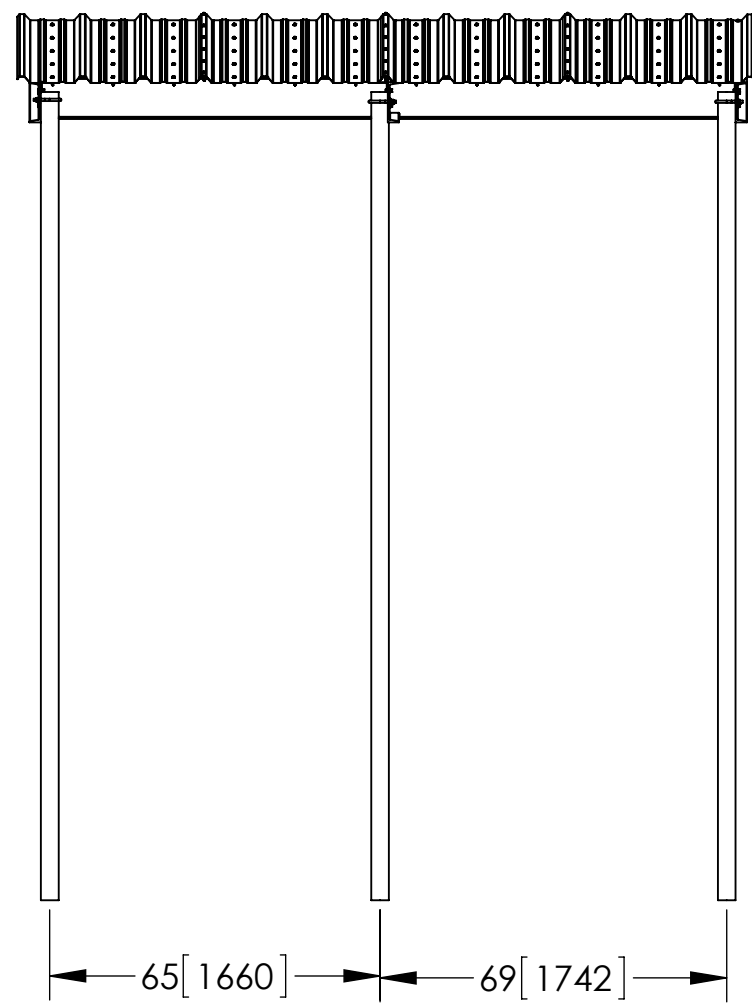
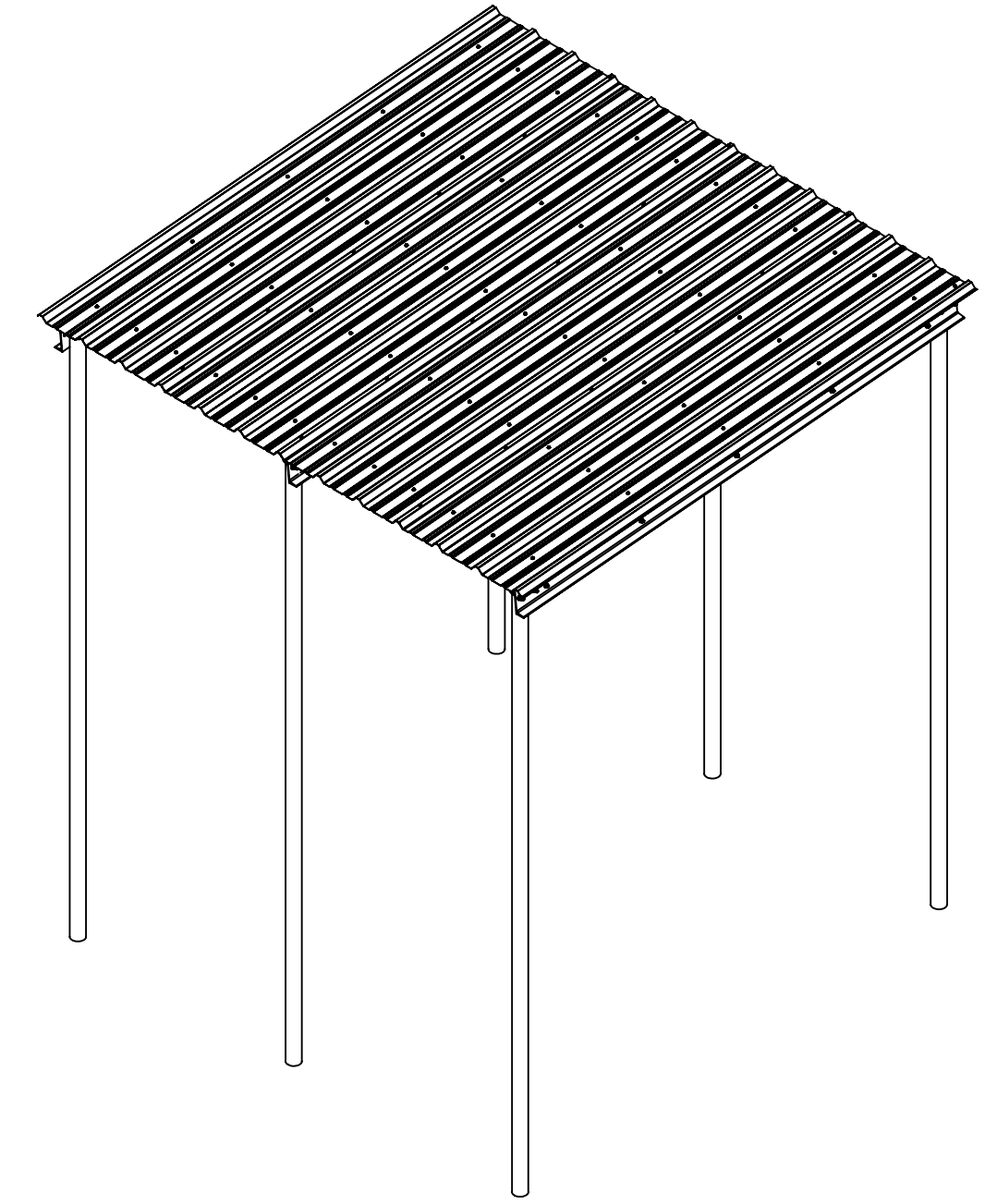
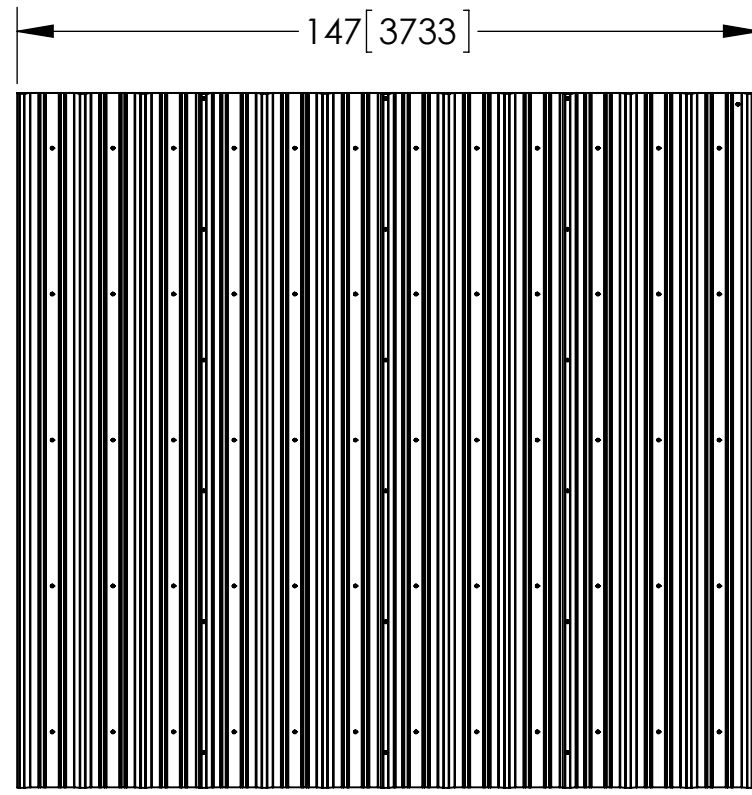
4

3

2

1

NOTES:  
1.0 ALL METRIC DIMENSIONS ARE IN BRACKETS.



COMMSCOPE, INC. OF NORTH CAROLINA				
TITLE 10' X 22' CANOPY				
SIZE <b>C</b>	SCALE <b>1:38</b>	DOCUMENT NO. <b>MTC38151012</b>		
DRAWING		REVISION	SHEET	
VERSION	STATUS	A	4 OF 4	