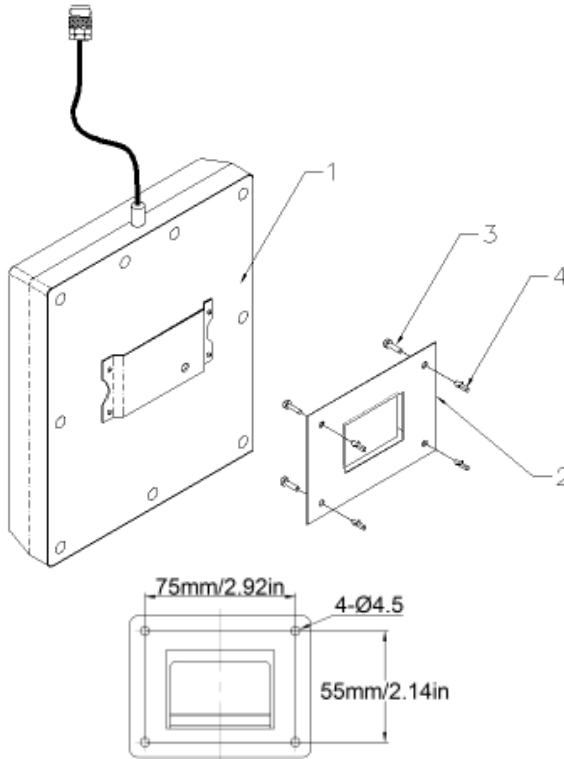


INSTALLATION INSTRUCTION FOR CELLMAX-D-CPUSE



Installation Steps

- 1) Drill four holes in wall per pattern of holes in plate (item 2) shown above.
- 2) Attach flat side of plate (item 2) to wall using wall anchors (item 4 plastic plug $\varnothing 6 \times 25 \text{mm}$) and screws (item 3 tapping screw ST4.2x25mm).
- 3) Mount antenna (item 1), to plate (item 2).
- 4) Connect RF cable.

Note: The cable bending radius must not be less than 40 mm.

Version	Changes	Release Date
M0153A2A		04-May-2020
M0153A2B	- Rebranding and contact data updated; editorial update, and obsolete version deleted	28-April-2026

Online Support

Scan the QR code to submit tickets:



Copyright © 2026 ANDREW®, an Amphenol company. All Rights Reserved.

Amphenol and ANDREW are registered trademarks of Amphenol and/or its affiliates in the U.S. and other countries. All product names, trademarks and registered trademarks are property of their respective owners.

Andrew Wireless Systems GmbH, 28 -April-2026