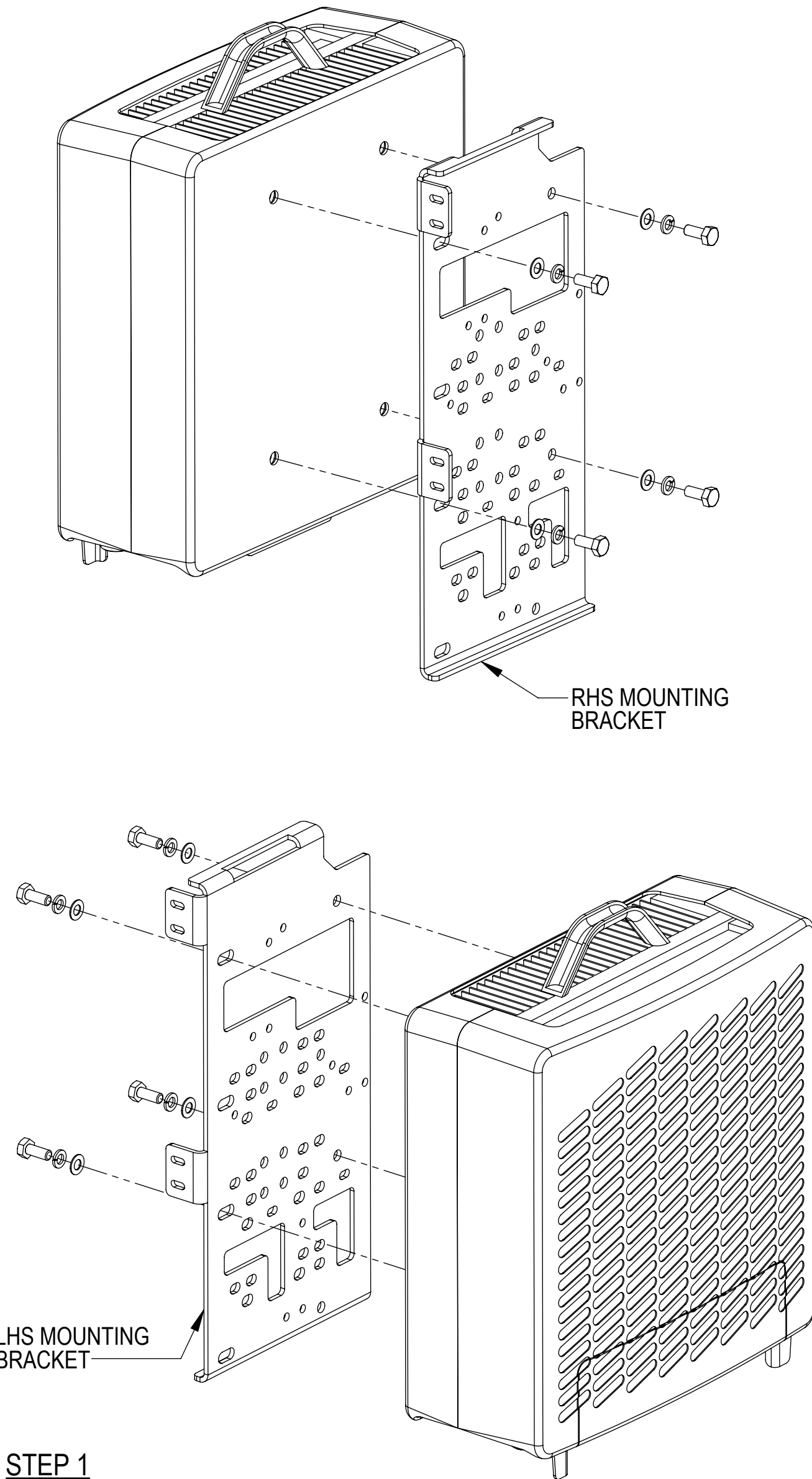


NOTES:

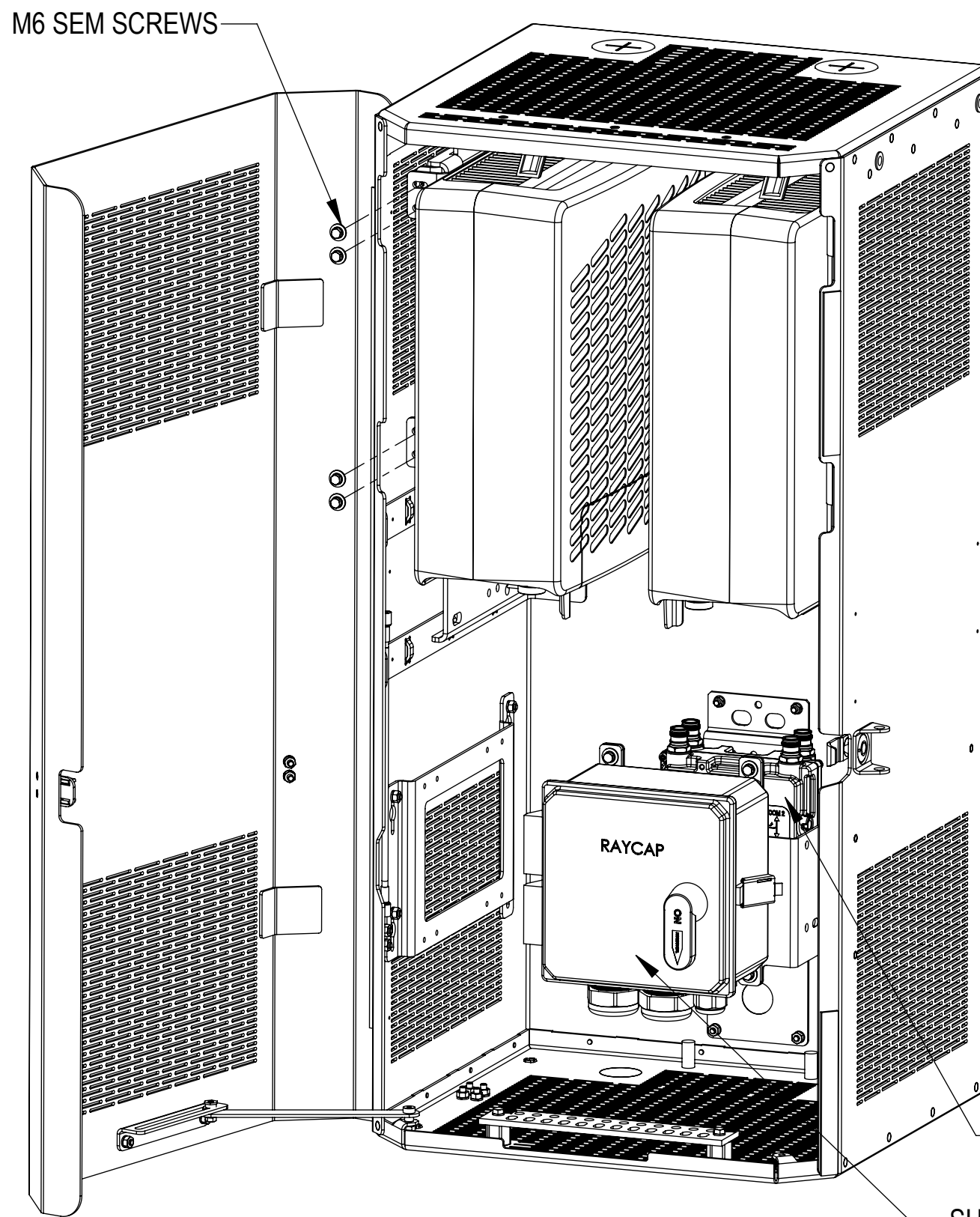
| REVISIONS | | | |
|-----------|--|-------------------|-----------------------|
| REV. | DESCRIPTION | DATE | APPROVED |
| B | UPDATED VIEWS. ADDED SHEET 6 AND 7 | JP1130 29APR19 | AG1119 8000035096 |
| C | UPDATED VIEWS. ADDED SHEET 7, 8, 11 | JP1130 27JUN19 | RW1043 8000036045 |
| D | UPDATED VIEWS. ADDED SHEET 9, 10, 11, 12 | YC1059 12JAN23 | YC1015 40161675CMO |
| E | ADDED SHEET 13, 4461 & 4471 & AC08 INSTALL | MS1288 08MAY25 | JX1002 50102662AMO |

RRU11 INSTALLATION



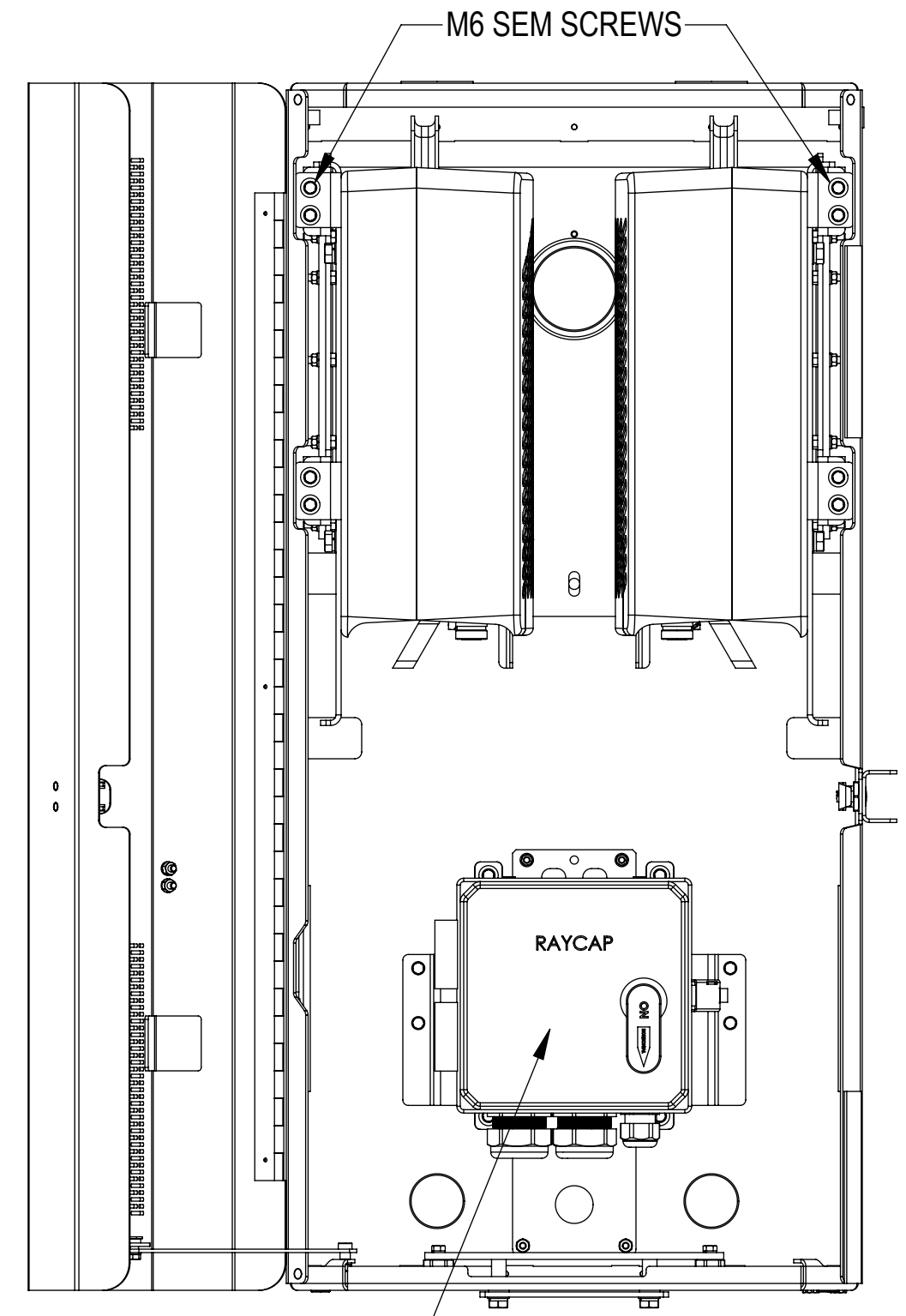
STEP 1

- A) INSTALL RRU11 TO THE RHS MOUNTING BRACKET USING 4 SETS OF M10 SCREWS, LOCK AND FLAT WASHERS
- B) INSTALL RRU11 TO THE LHS MOUNTING BRACKET USING 4 SETS OF M10 SCREWS, LOCK AND FLAT WASHERS



STEP 2

HANG THE SUB-ASSEMBLIES FROM STEP 1 IN THE ENCLOSURE AS SHOWN AND SECURE BY 4 SETS OF M6 SEM SCREWS ON EACH SIDE



SHOWN FOR REFERENCE ONLY. INCLUDED IN SSC-760237600EXK OR CAN BE PURCHASED SEPARATELY



ANDREW® an Amphenol company

| | | | |
|---|-----------------------------|----------------------------|----------------------------|
| TOLERANCES | | SAP MATERIAL MASTER | |
| 1 PLACE .X(X) ± 0.25[6.4] | 3 PLACE .XXX(X) ± 0.06[1.5] | | |
| 2 PLACE .XX(X) ± 0.12[3.0] | ANGLES ± 0.5° | | |
| FINISH | | MATERIAL | |
| UNLESS OTHERWISE SPECIFIED DIMENSIONS ARE IN INCHES INTERPRET PER ANSI Y 14.5M-1994 | | TITLE | |
| CE | JP1130 | 01/17/19 | 760237600E1 INSTALL |
| RW | MS1288 | 05/08/2025 | |
| AD | JX1002 | 05/08/2025 | |
| RE | DM1121 | 05/08/2025 | |
| ECN 50102662AMO | | | |
| SIZE | Auth Group | INSL | MODEL |
| C | | | VERSION |
| SCALE | | DOCUMENT NO. | |
| 1:6 | | 760237600E1 INSTALL | |
| DRAWING | | SHEET | |
| VERSION | STATUS | REVISION | VERSION |
| 11 | RE | H | 10 |
| REVISION | | REVISION | |
| E | | E | |

| | |
|--------------|---------------------|
| DENSITY | lbs/in ³ |
| MASS | lbs |
| VOLUME | in ³ |
| SURFACE AREA | in ² |
| HEIGHT | |
| LENGTH | |
| WIDTH | |

Confidential

4

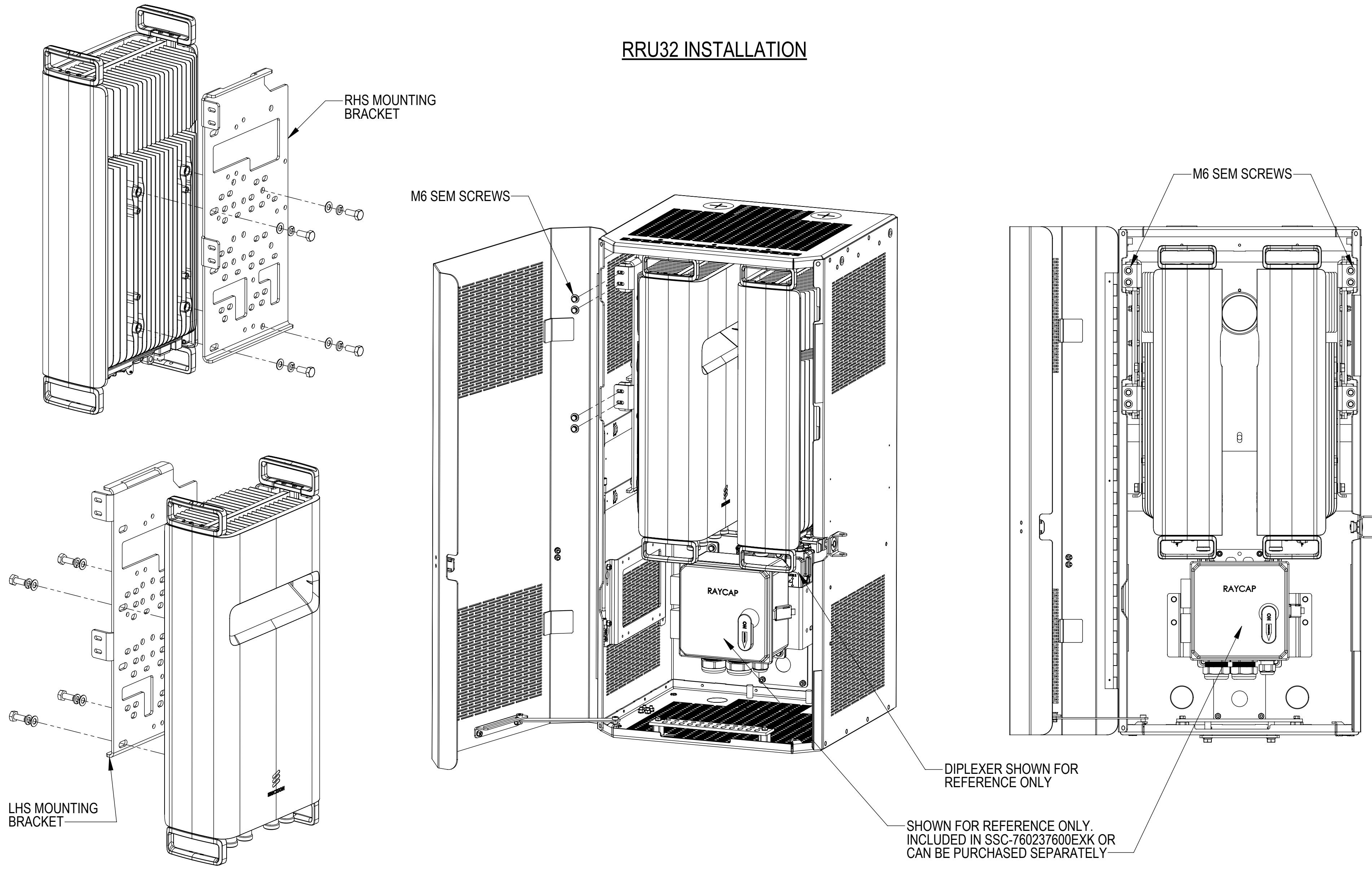
3

2

1

NOTES:

RRU32 INSTALLATION




STEP 1

- A) INSTALL RRU32 TO THE RHS MOUNTING BRACKET USING 4 SETS OF M10 SCREWS, LOCK AND FLAT WASHERS
- B) INSTALL RRU32 TO THE LHS MOUNTING BRACKET USING 4 SETS OF M10 SCREWS, LOCK AND FLAT WASHERS

STEP 2

HANG THE SUB-ASSEMBLIES FROM STEP 1 IN THE ENCLOSURE AS SHOWN AND SECURE BY 4 SETS OF M6 SEM SCREWS ON EACH SIDE

DIPLEXER SHOWN FOR REFERENCE ONLY
 SHOWN FOR REFERENCE ONLY. INCLUDED IN SSC-760237600EXK OR CAN BE PURCHASED SEPARATELY

| | | |
|---|---------------------|-------------------------------------|
|  ANDREW an Amphenol company | | |
| TITLE 760237600E1 INSTALL | | |
| SIZE C | SCALE 1:6 | DOCUMENT NO. 760237600E1 INSTALL |
| DRAWING | | SHEET |
| VERSION 10 | STATUS RE | REVISION E |
| | | 2 OF 17 |

Confidential

4

3

2

1

4

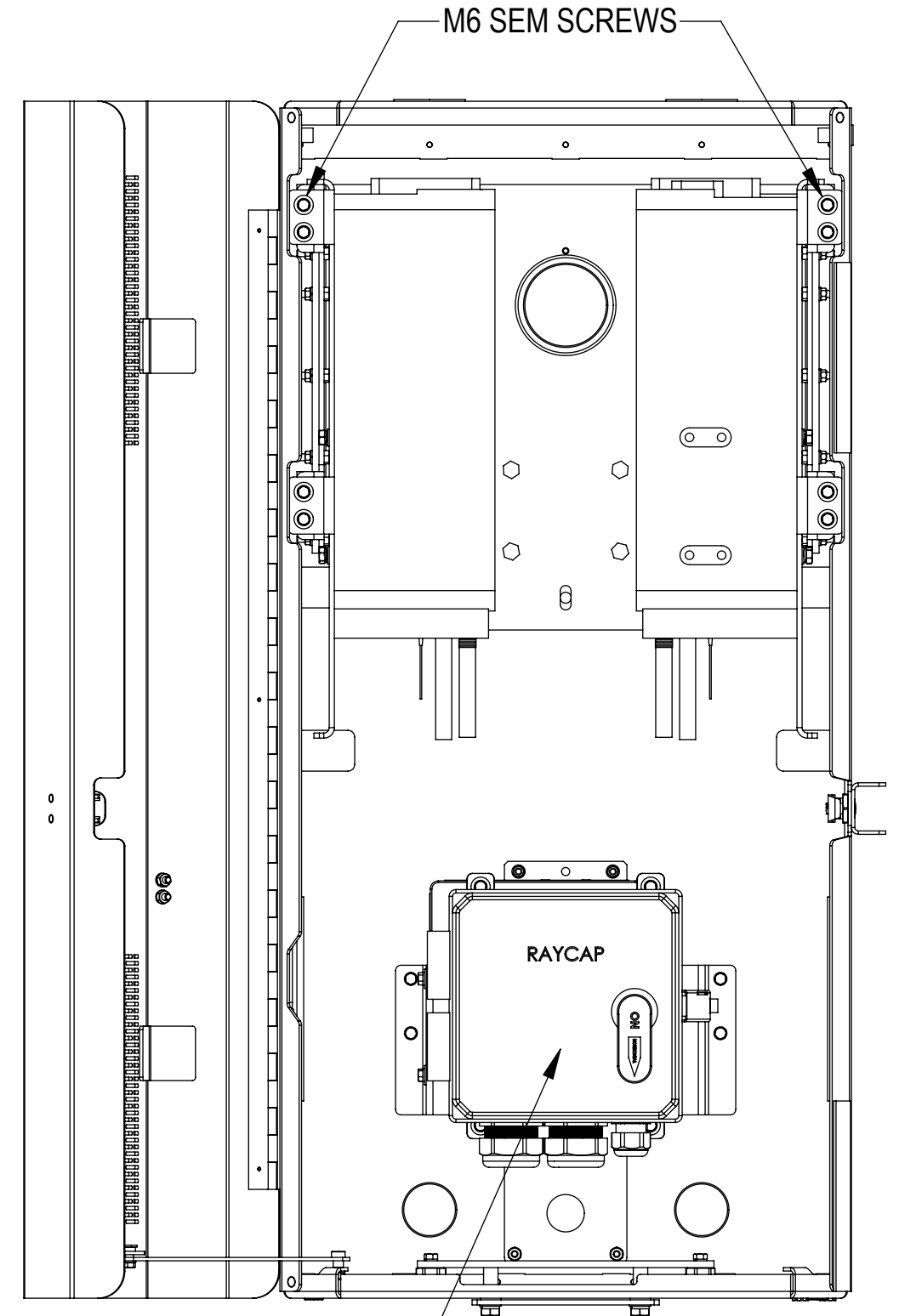
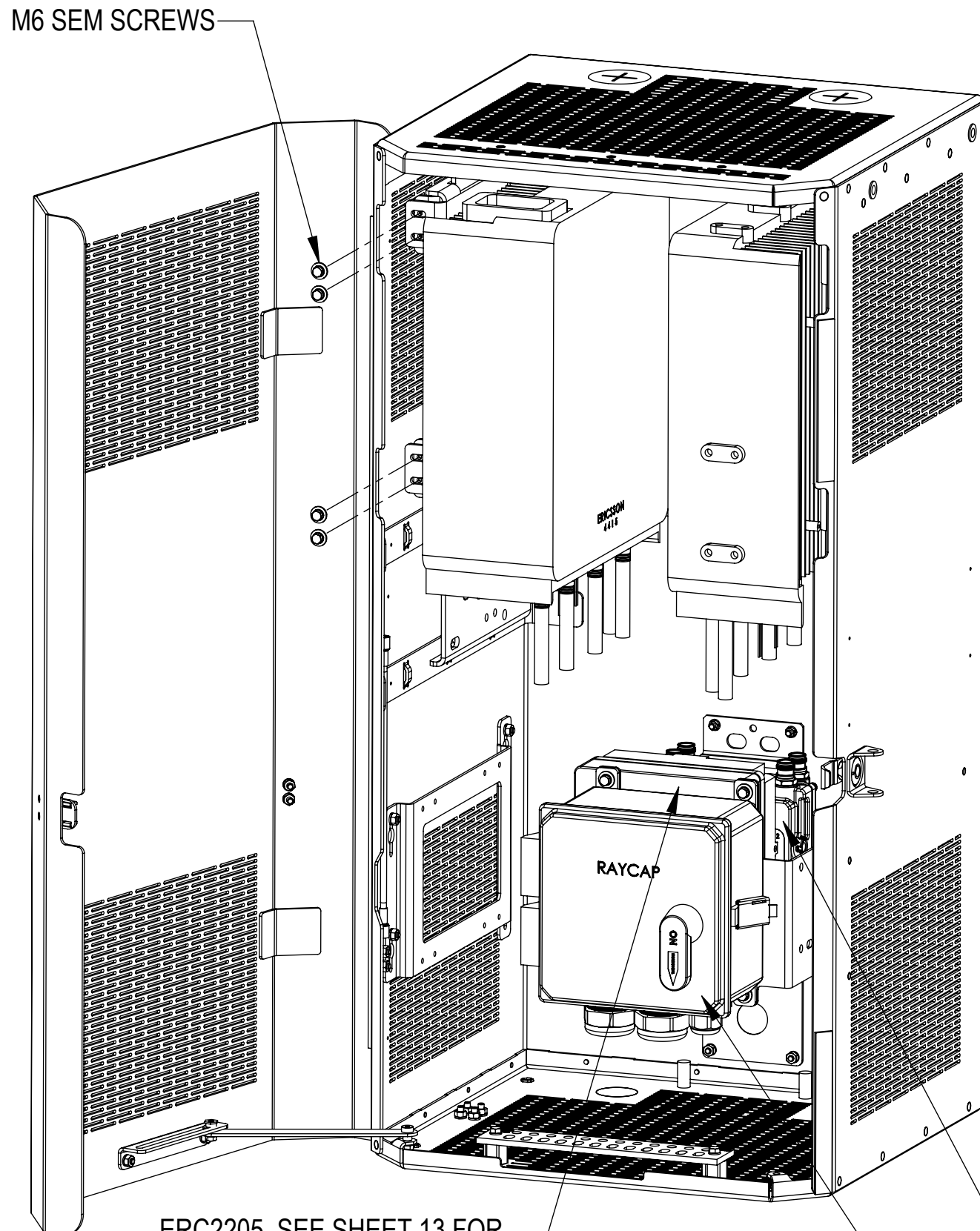
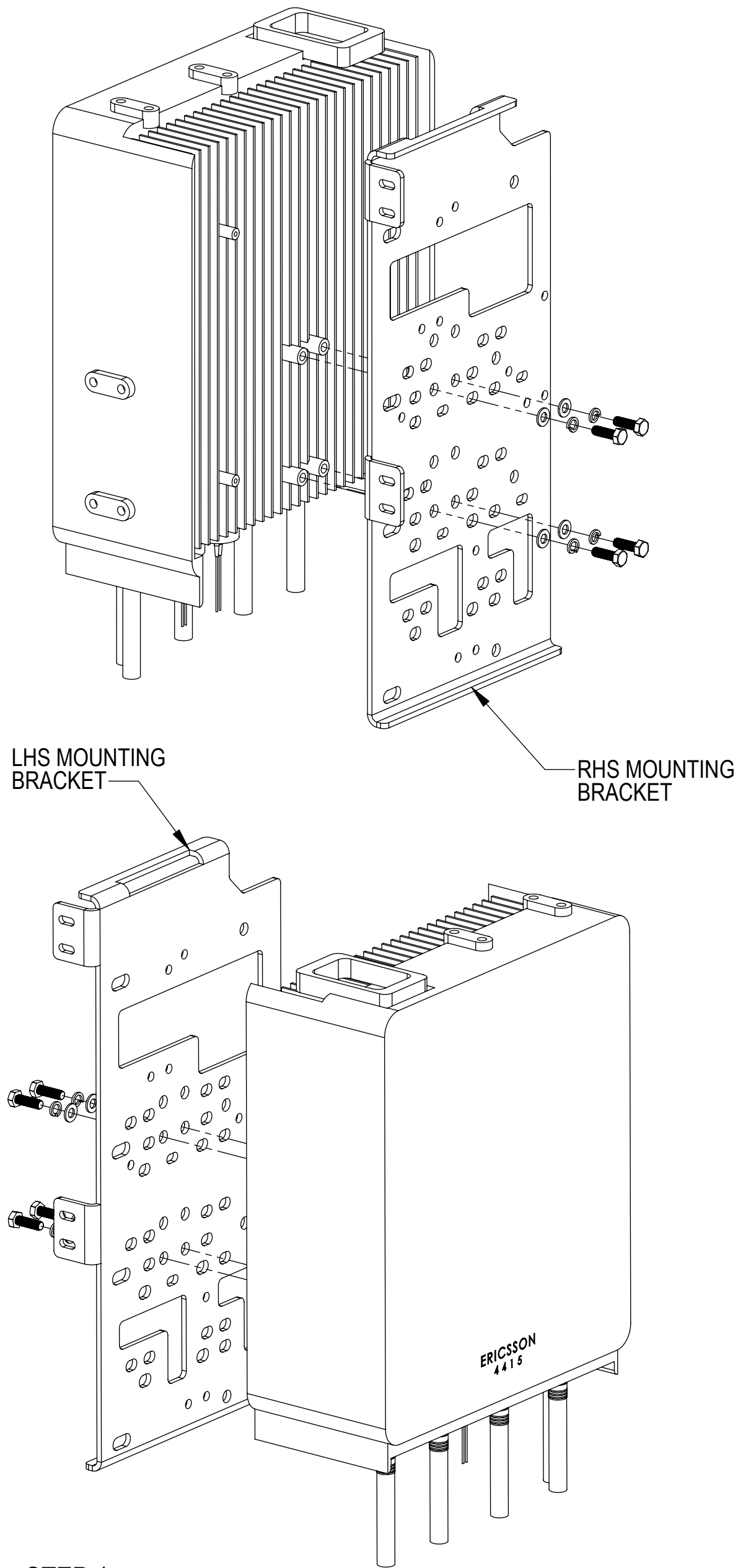
3

2

1

NOTES:

ERC4415 / 4426 / 4478 INSTALLATION



STEP 2

HANG THE SUB-ASSEMBLIES FROM STEP 1 IN THE ENCLOSURE AS SHOWN AND SECURE BY 4 SETS OF M6 SEM SCREWS ON EACH SIDE

SHOWN FOR REFERENCE ONLY. INCLUDED IN SSC-760237600EXK OR CAN BE PURCHASED SEPARATELY

STEP 1

A) INSTALL ERC4415/4426/4478 TO THE RHS MOUNTING BRACKET USING 4 SETS OF M8 SCREWS, LOCK AND FLAT WASHERS

B) INSTALL ERC4415/4426/4478 TO THE LHS MOUNTING BRACKET USING 4 SETS OF M8 SCREWS, LOCK AND FLAT WASHERS



| | | | | | |
|--------------|-------|---------------------|--------|----------|-------|
| TITLE | | 760237600E1 INSTALL | | | |
| SIZE | SCALE | DOCUMENT NO. | | | |
| C | 1:6 | 760237600E1 INSTALL | | | |
| | | DRAWING | | | SHEET |
| | | VERSION | STATUS | REVISION | |
| Confidential | | 10 | RE | E | |

4

3

2

1

4

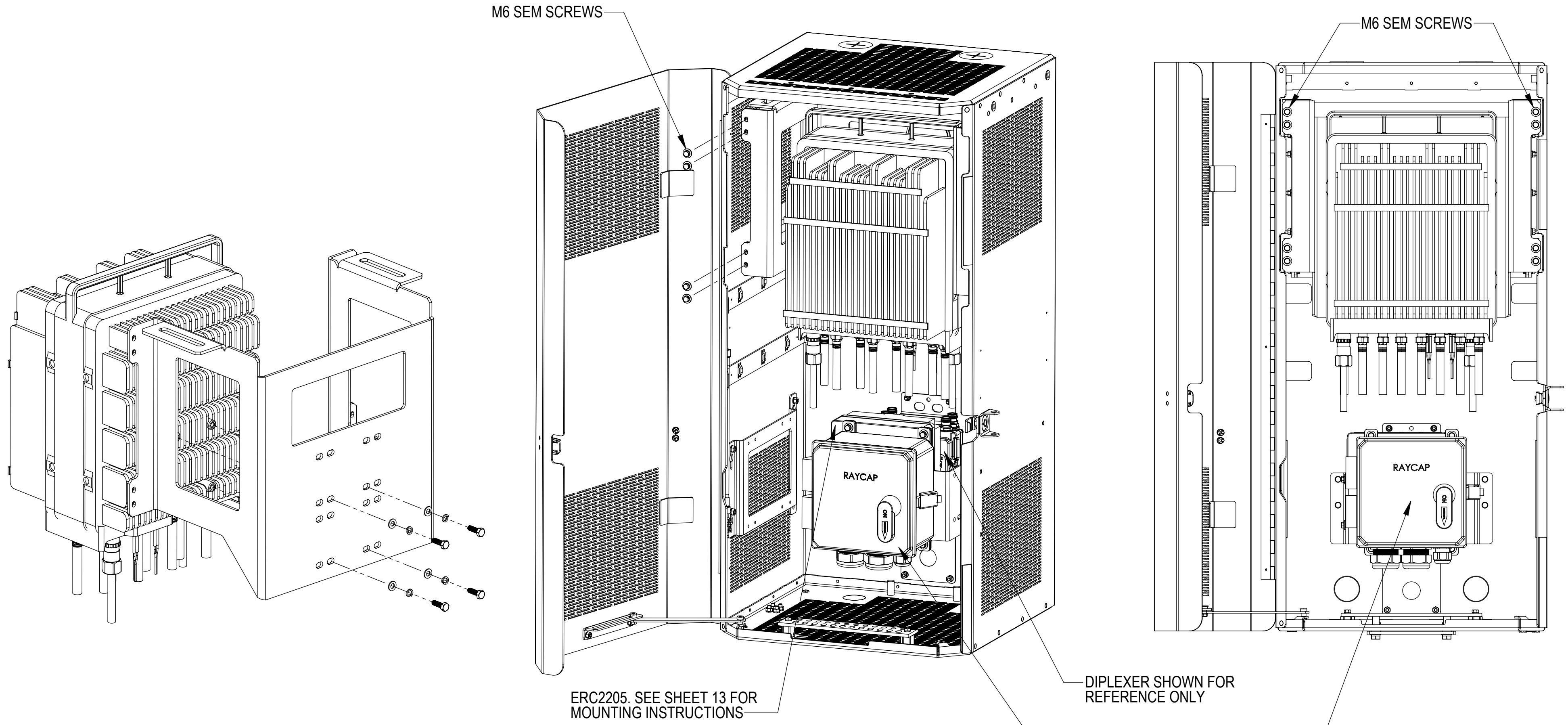
3

2

1

NOTES:

ERC8843 INSTALLATION



STEP 1

INSTALL ERC8843 TO THE MOUNTING BRACKET
MTM1045-101 USING 4 SETS OF M8 SCREWS, LOCK
AND FLAT WASHERS

STEP 2

HANG THE SUB-ASSEMBLY FROM STEP 1 IN THE
ENCLOSURE AS SHOWN AND SECURE BY 8 SETS
OF M6 SEM SCREWS ON EACH SIDE



| | | | | |
|---------------------|--------|---------------------|---------|-------|
| TITLE | | | | |
| 760237600E1 INSTALL | | | | |
| SIZE | SCALE | DOCUMENT NO. | | |
| C | 1:6 | 760237600E1 INSTALL | | |
| DRAWING | | | | SHEET |
| VERSION | STATUS | REVISION | 4 OF 17 | |
| 10 | RE | E | | |

Confidential

4

3

2

1

4

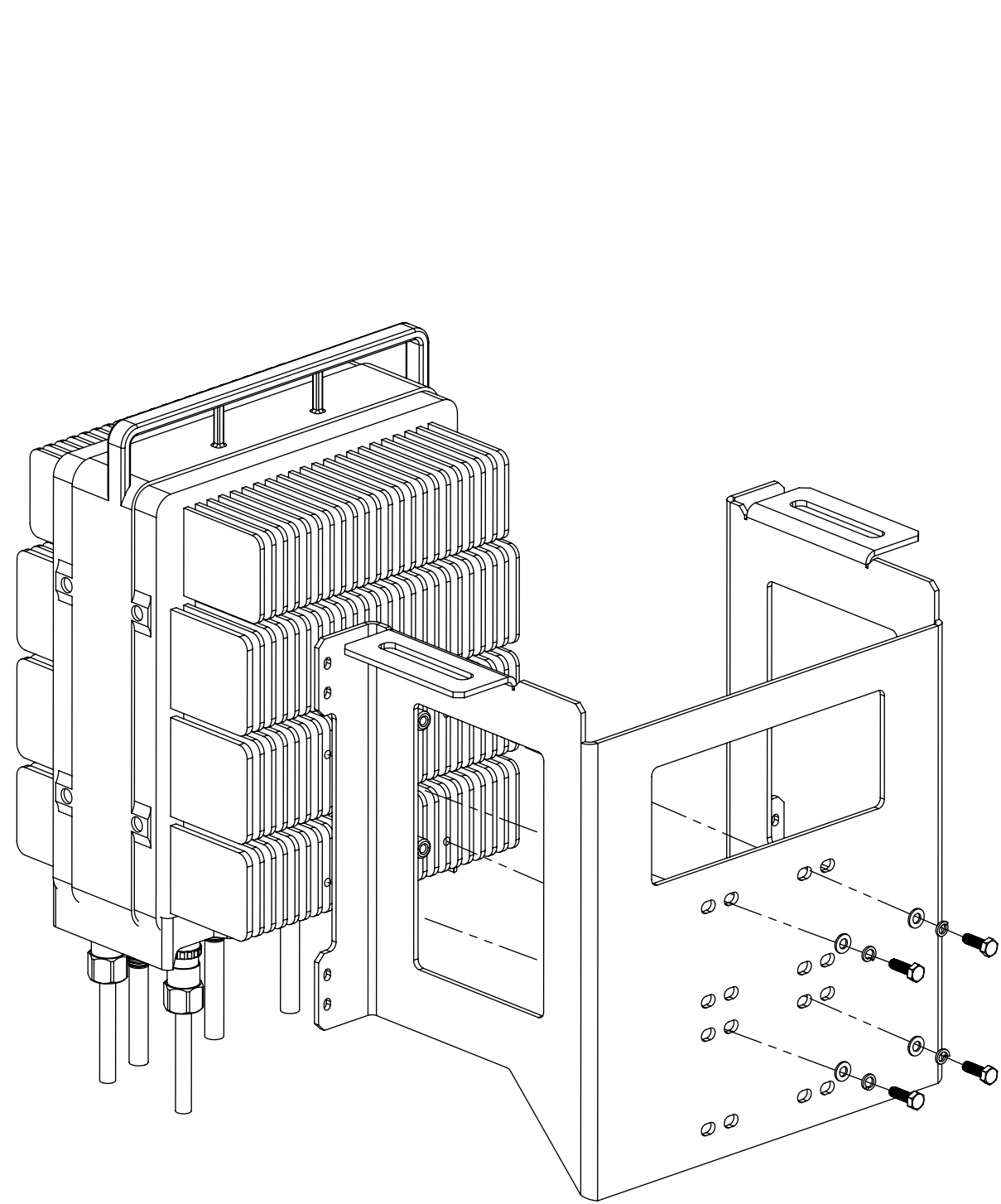
3

2

1

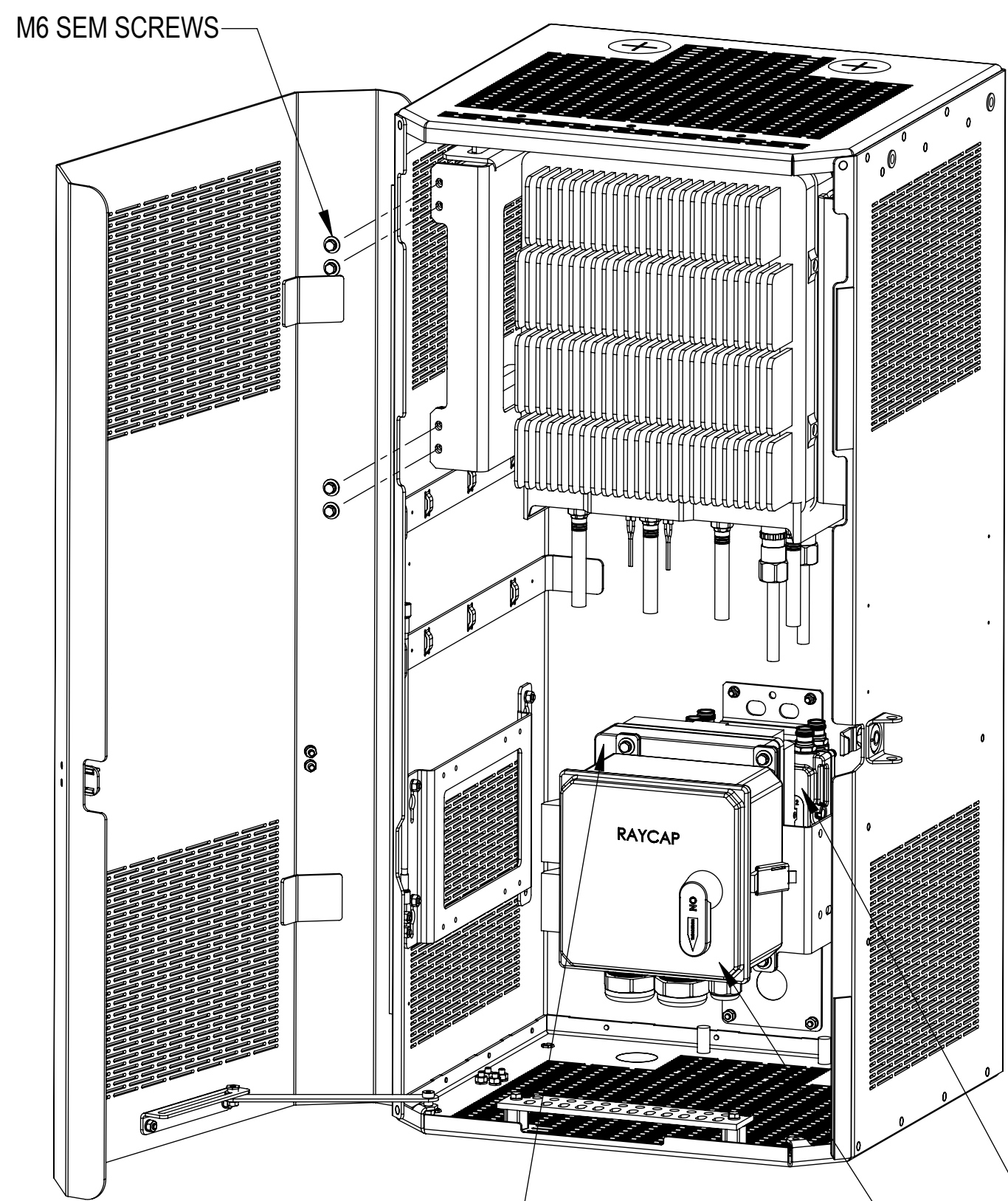
NOTES:

ERC4449 INSTALLATION



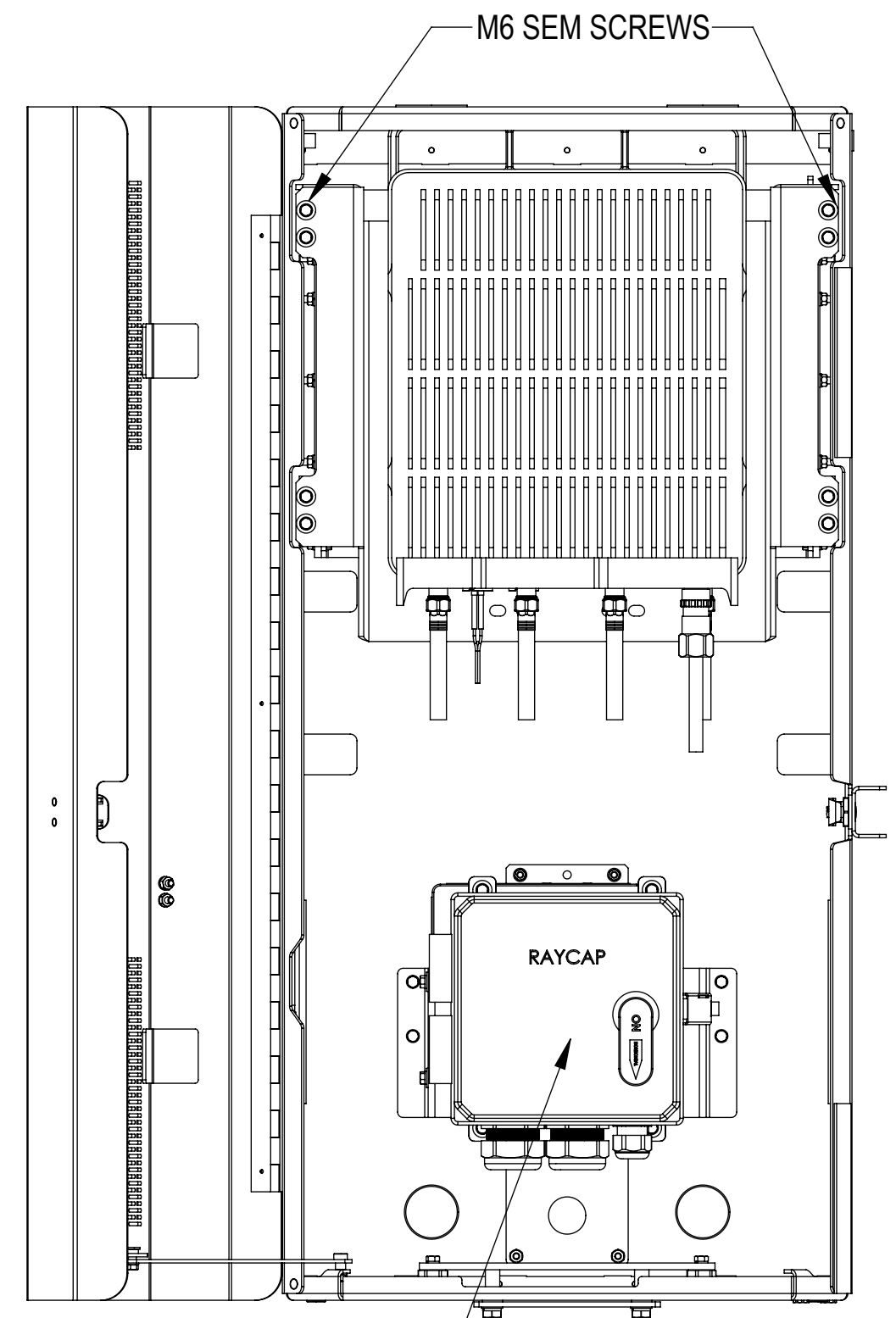
STEP 1

INSTALL ERC4449 TO THE MOUNTING BRACKET
MTM1045-101 USING 4 SETS OF M8 SCREWS, LOCK
AND FLAT WASHERS



STEP 2

HANG THE SUB-ASSEMBLY FROM STEP 1 IN THE
ENCLOSURE AS SHOWN AND SECURE BY 8 SETS
OF M6 SEM SCREWS ON EACH SIDE



ERC2205. SEE SHEET 13 FOR
MOUNTING INSTRUCTIONS

DIPLEXER SHOWN FOR
REFERENCE ONLY

SHOWN FOR REFERENCE ONLY.
INCLUDED IN SSC-760237600EXK OR
CAN BE PURCHASED SEPARATELY



| | | | | | | |
|-------|-------|---------------------|--------|----------|---------------------|--|
| TITLE | | | | | 760237600E1 INSTALL | |
| SIZE | SCALE | DOCUMENT NO. | | | | |
| C | 1:6 | 760237600E1 INSTALL | | | | |
| | | DRAWING | | | SHEET | |
| | | VERSION | STATUS | REVISION | 5 OF 17 | |
| | | 10 | RE | E | | |

Confidential

4

3

2

1

4

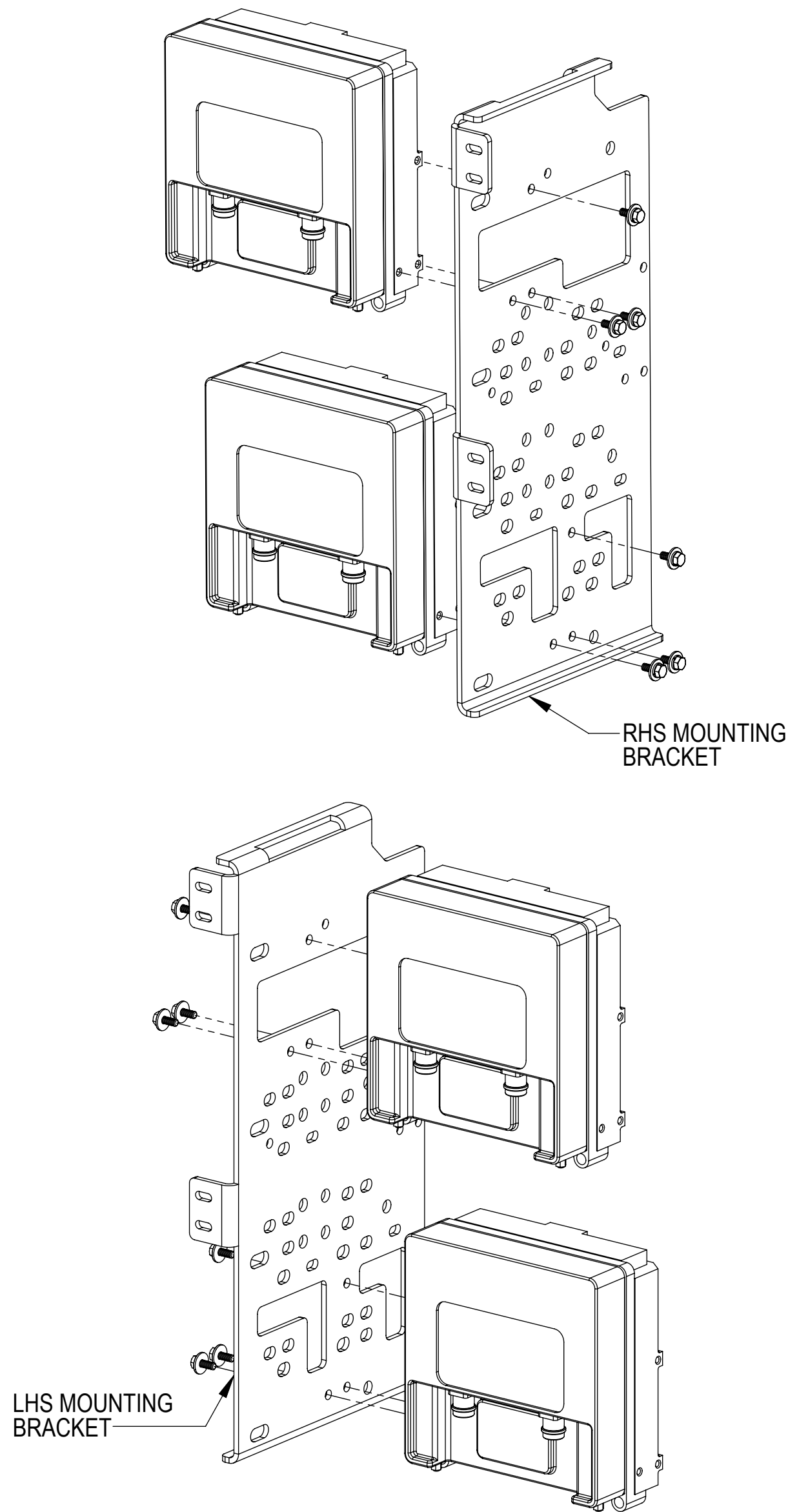
3

2

1

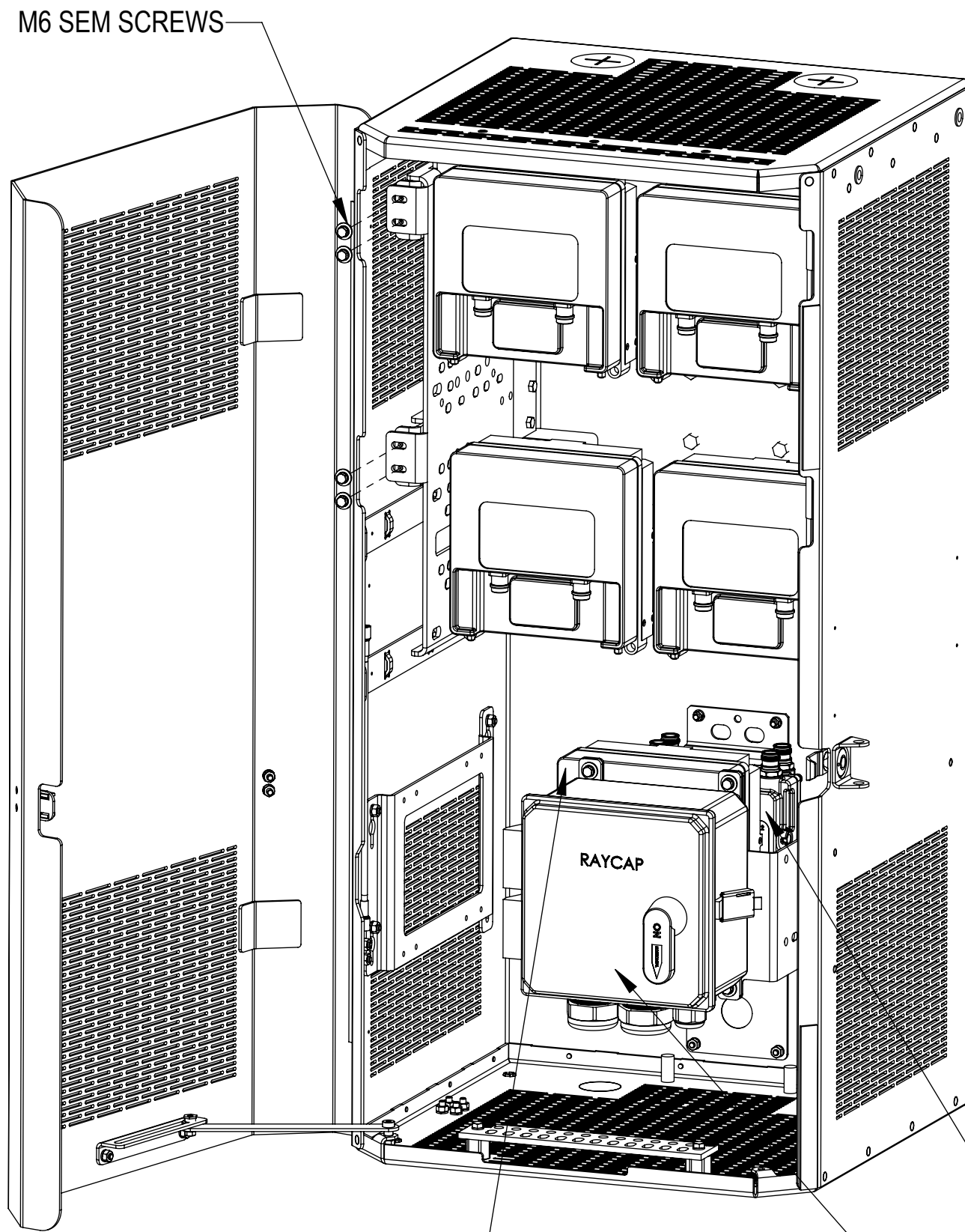
NOTES:

ERC2203 INSTALLATION



STEP 1

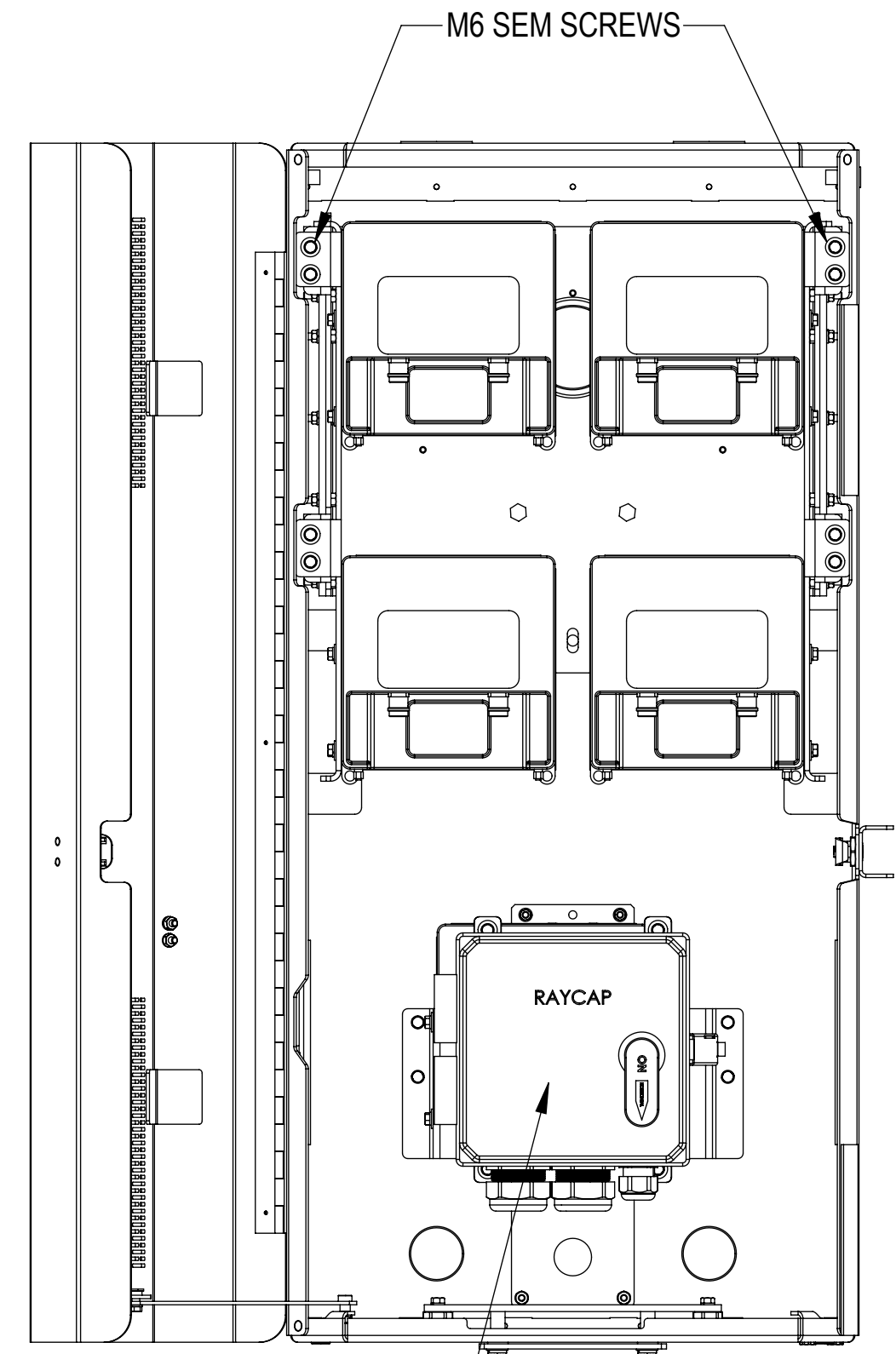
- A) INSTALL 2X ERC2203 RADIOS TO THE RHS MOUNTING BRACKET USING 6X M6 SEM SCREWS
- B) INSTALL 2X ERC2203 RADIOS TO THE LHS MOUNTING BRACKET USING 6X M6 SEM SCREWS



ERC2205. SEE SHEET 13 FOR MOUNTING INSTRUCTIONS

STEP 2

HANG THE SUB-ASSEMBLIES FROM STEP 1 IN THE ENCLOSURE AS SHOWN AND SECURE BY 4 SETS OF M6 SEM SCREWS ON EACH SIDE



DIPLEXER SHOWN FOR REFERENCE ONLY

SHOWN FOR REFERENCE ONLY. INCLUDED IN SSC-760237600EXK OR CAN BE PURCHASED SEPARATELY



| | | | | |
|--------------|------------|---------------------|--------|---------|
| TITLE | | 760237600E1 INSTALL | | |
| SIZE | SCALE | DOCUMENT NO. | | |
| C | 1:6 | 760237600E1 INSTALL | | |
| | | DRAWING | | SHEET |
| | | VERSION | STATUS | |
| Confidential | | 10 | RE | E |
| | | | | 6 OF 17 |

4

3

2

1

4

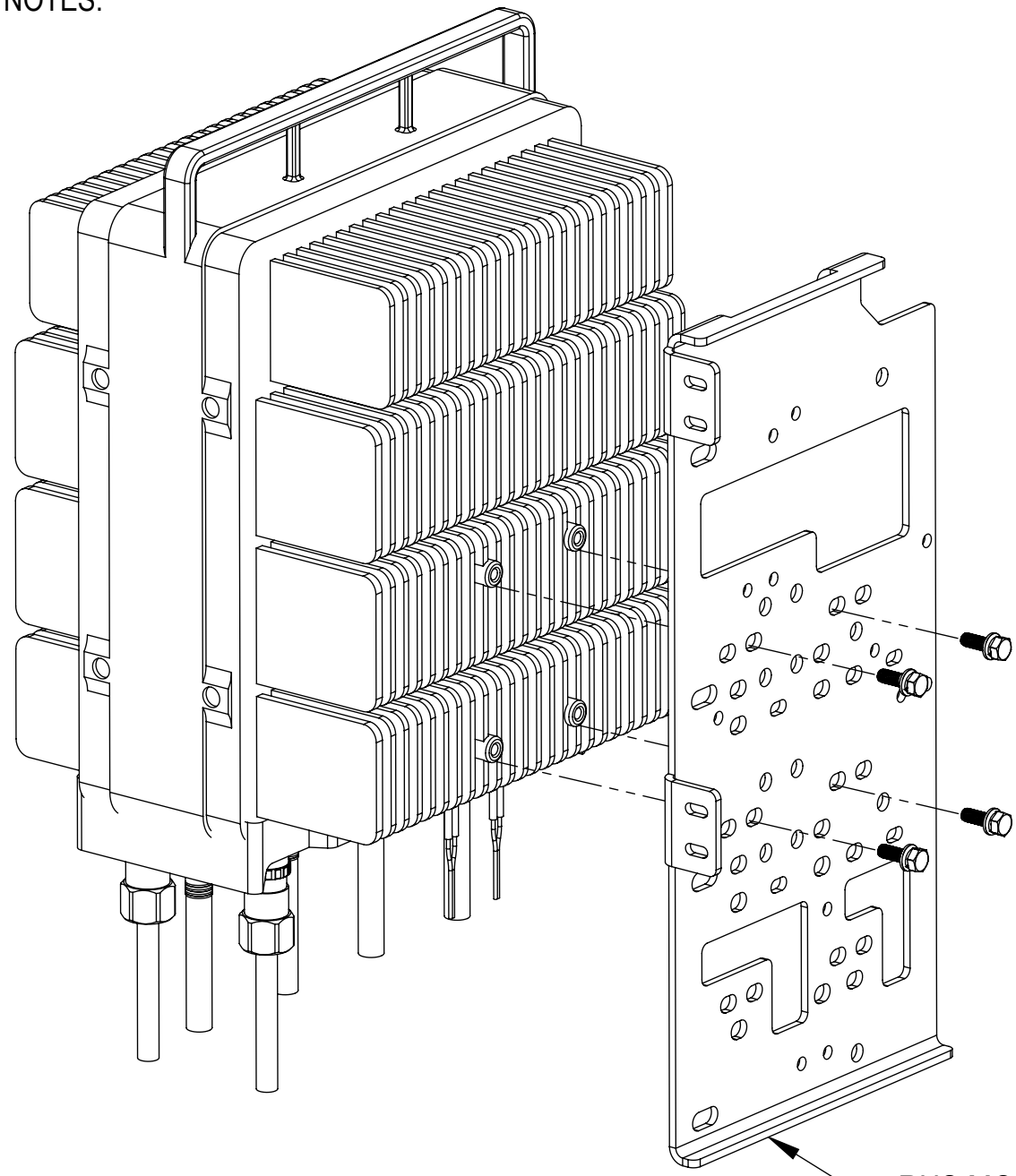
3

2

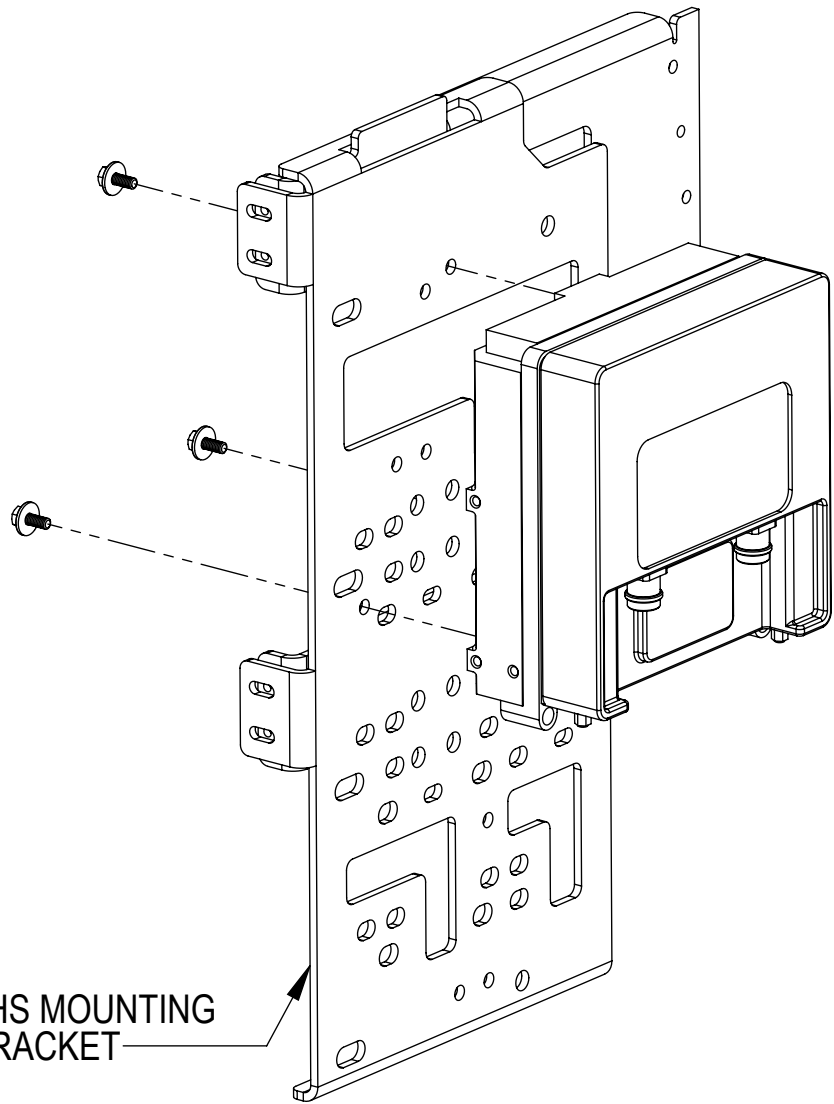
1

NOTES:

ERC2203 AND ERC4449 INSTALLATION

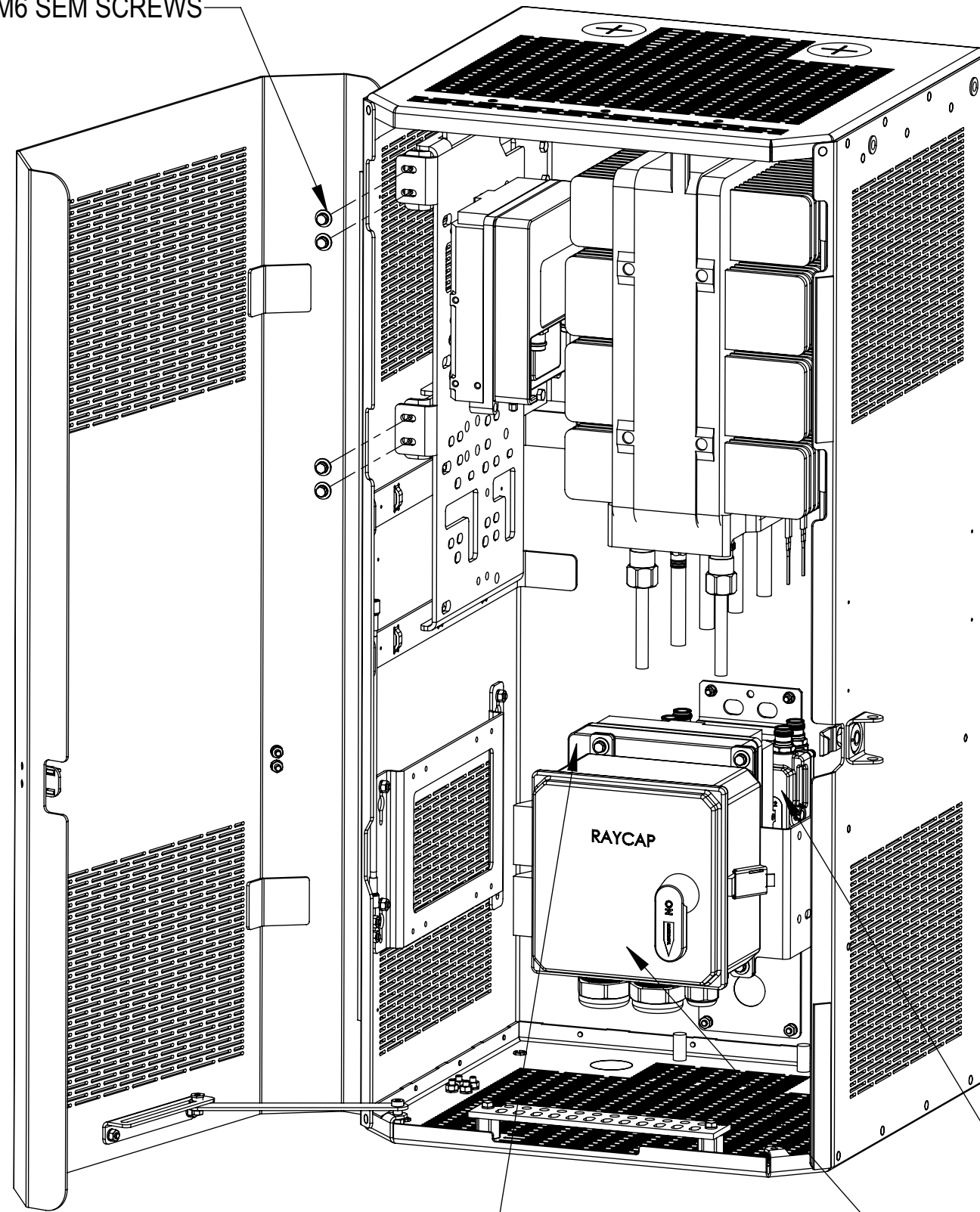


RHS MOUNTING BRACKET



LHS MOUNTING BRACKET

M6 SEM SCREWS



ERC2205. SEE SHEET 13 FOR MOUNTING INSTRUCTIONS

DIPLEXER SHOWN FOR REFERENCE ONLY

SHOWN FOR REFERENCE ONLY. INCLUDED IN SSC-760237600EXK OR CAN BE PURCHASED SEPARATELY

M6 SEM SCREWS

STEP 2

HANG THE SUB-ASSEMBLIES FROM STEP 1 IN THE ENCLOSURE AS SHOWN AND SECURE BY 4 SETS OF M6 SEM SCREWS ON EACH SIDE

STEP 1

A) INSTALL 1X ERC2203 RADIO TO THE LHS MOUNTING BRACKET USING 3X M6 SEM SCREWS

B) INSTALL ERC4449 RADIO TO THE RHS MOUNTING BRACKET USING 4 SETS OF M8 SCREWS, LOCK AND FLAT WASHERS



| | | | | |
|--------------|-------|---------------------|--------|---------|
| TITLE | | 760237600E1 INSTALL | | |
| SIZE | SCALE | DOCUMENT NO. | | |
| C | 1:6 | 760237600E1 INSTALL | | |
| | | DRAWING | | SHEET |
| | | VERSION | STATUS | |
| Confidential | | 10 | RE | E |
| | | | | 7 OF 17 |

4

3

2

1

4

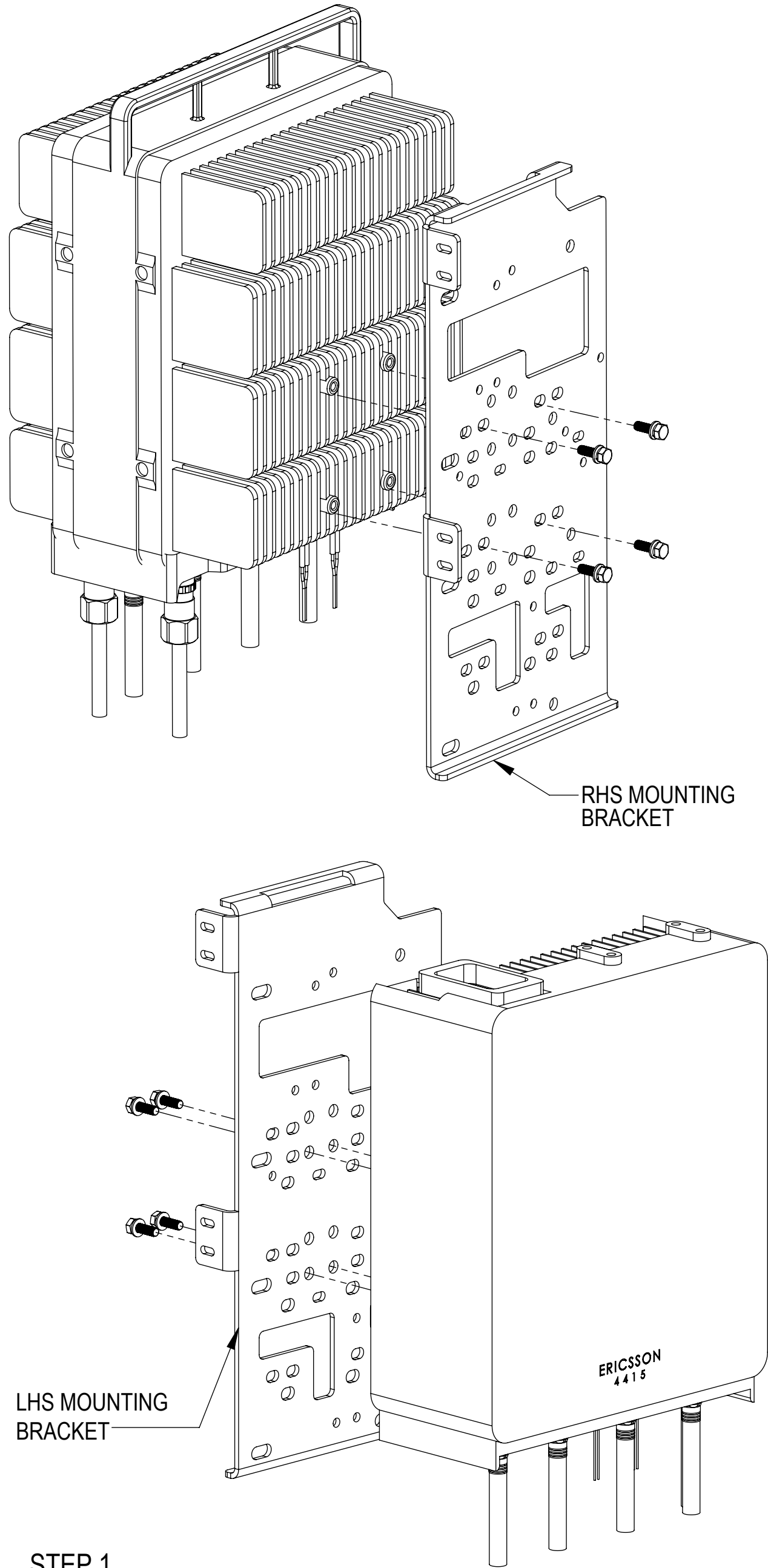
3

2

1

NOTES:

ERC4415 AND ERC4449 INSTALLATION

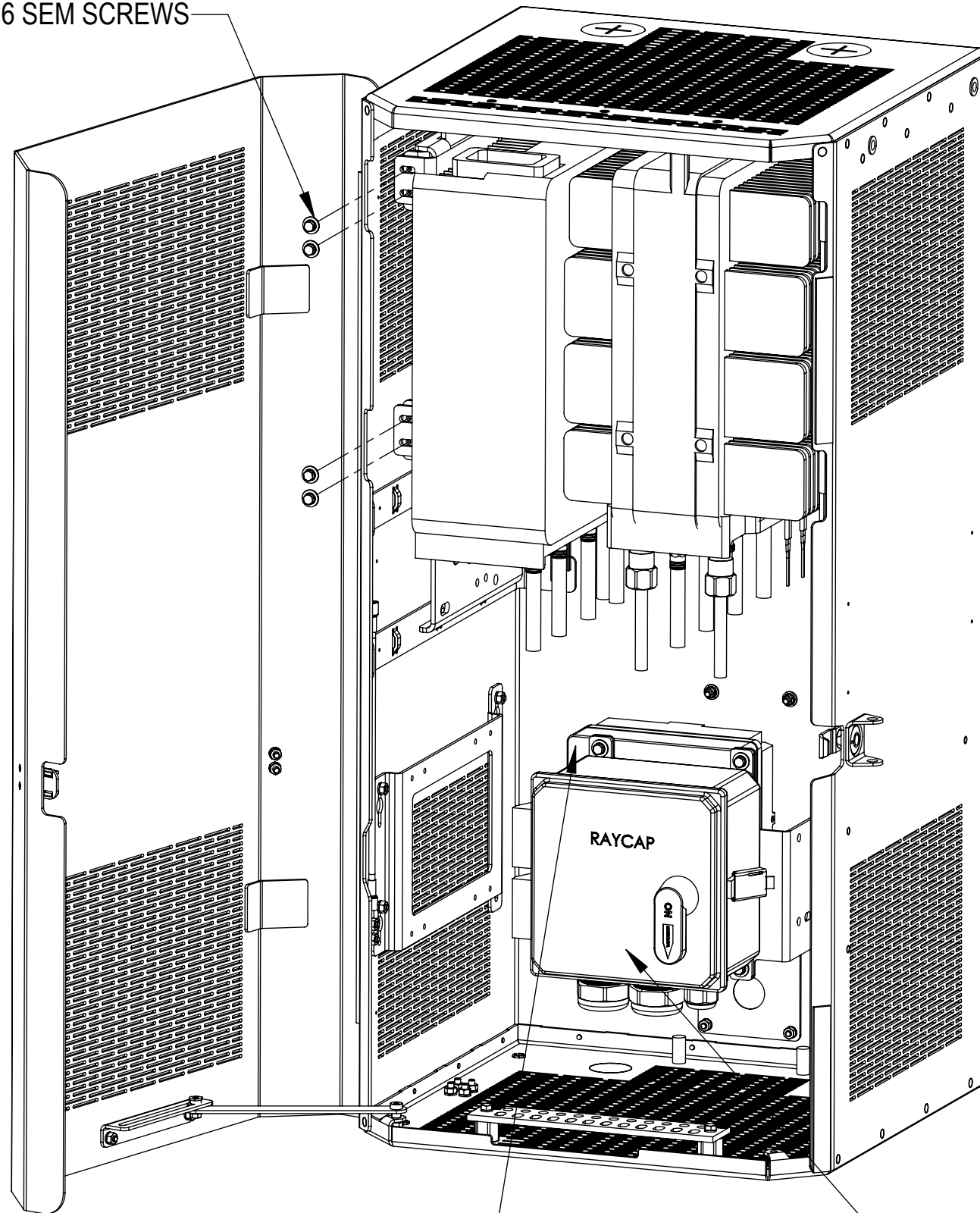


STEP 1

A) INSTALL ERC4415 RADIO TO THE LHS MOUNTING BRACKET USING 4 SETS OF M8 SCREWS, LOCK AND FLAT WASHERS

B) INSTALL ERC4449 RADIO TO THE RHS MOUNTING BRACKET USING 4 SETS OF M8 SCREWS, LOCK AND FLAT WASHERS

M6 SEM SCREWS

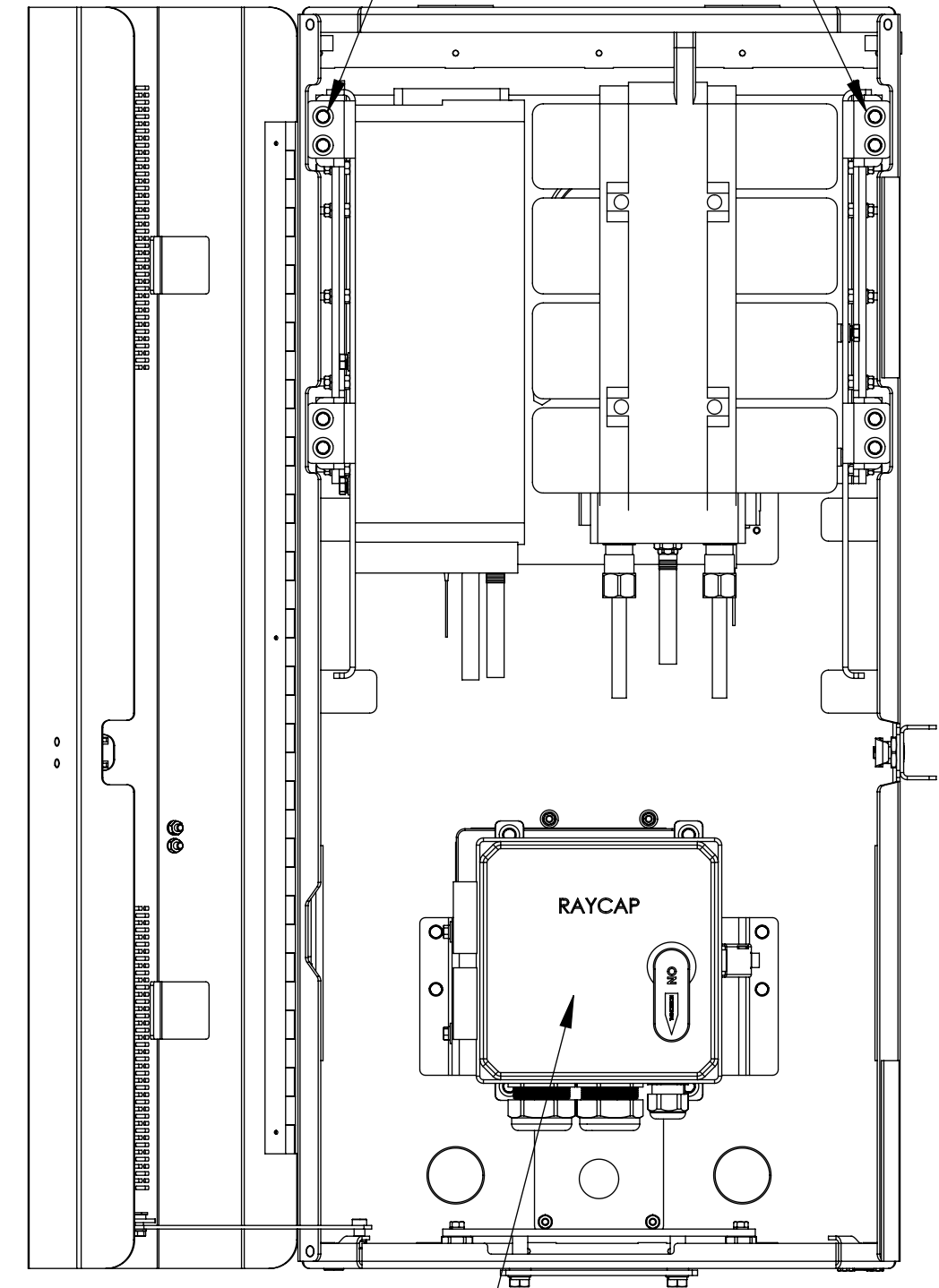


ERC2205. SEE SHEET 13 FOR MOUNTING INSTRUCTIONS

STEP 2

HANG THE SUB-ASSEMBLIES FROM STEP 1 IN THE ENCLOSURE AS SHOWN AND SECURE BY 4 SETS OF M6 SEM SCREWS ON EACH SIDE

M6 SEM SCREWS



SHOWN FOR REFERENCE ONLY. INCLUDED IN SSC-760237600EXK OR CAN BE PURCHASED SEPARATELY



| | | | | |
|---------|-------|---------------------|--------|----------|
| TITLE | | 760237600E1 INSTALL | | |
| SIZE | SCALE | DOCUMENT NO. | | |
| C | 1:6 | 760237600E1 INSTALL | | |
| DRAWING | | VERSION | STATUS | REVISION |
| | | 10 | RE | E |
| SHEET | | | | 8 OF 17 |

Confidential

4

3

2

1

4

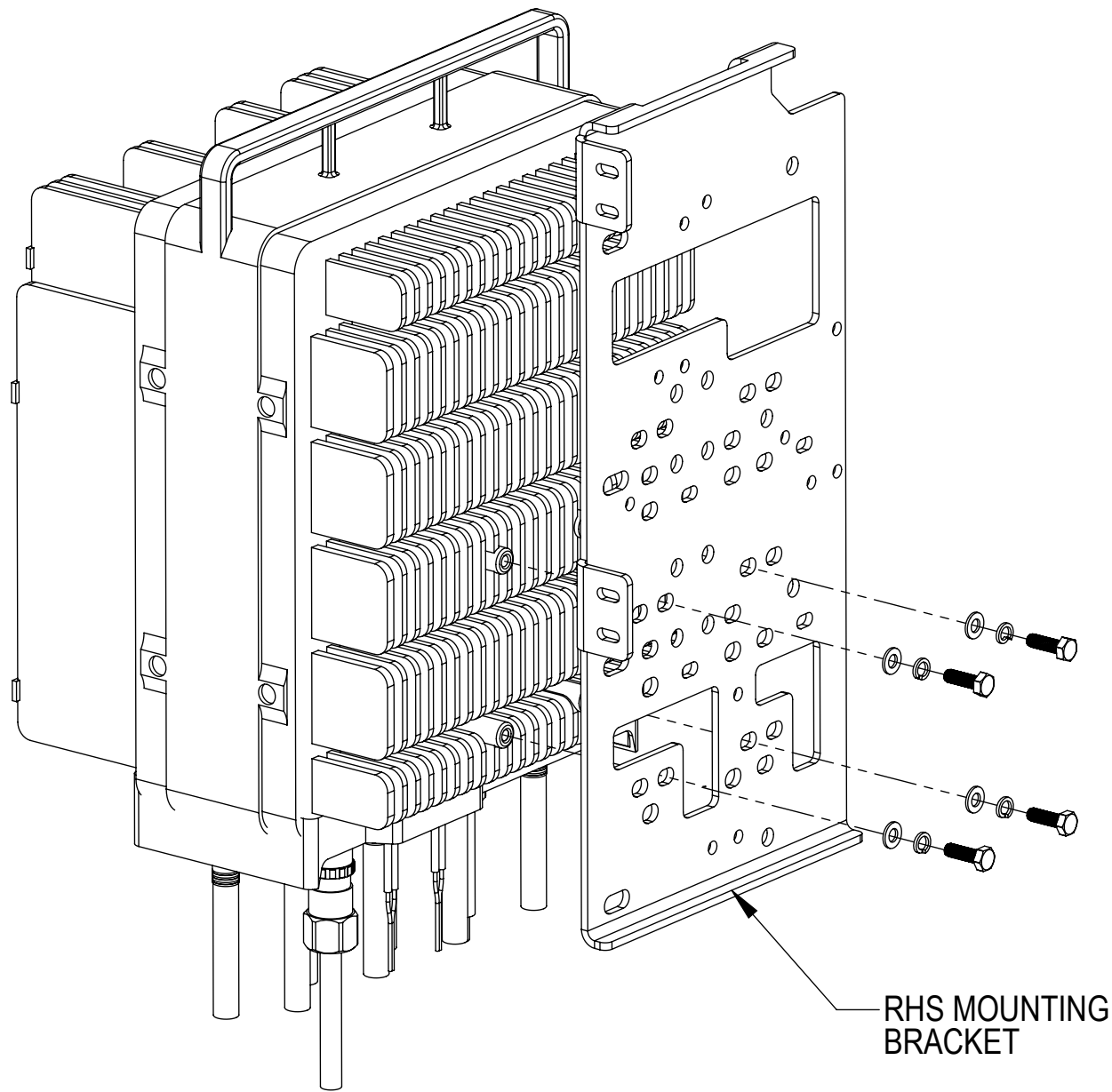
3

2

1

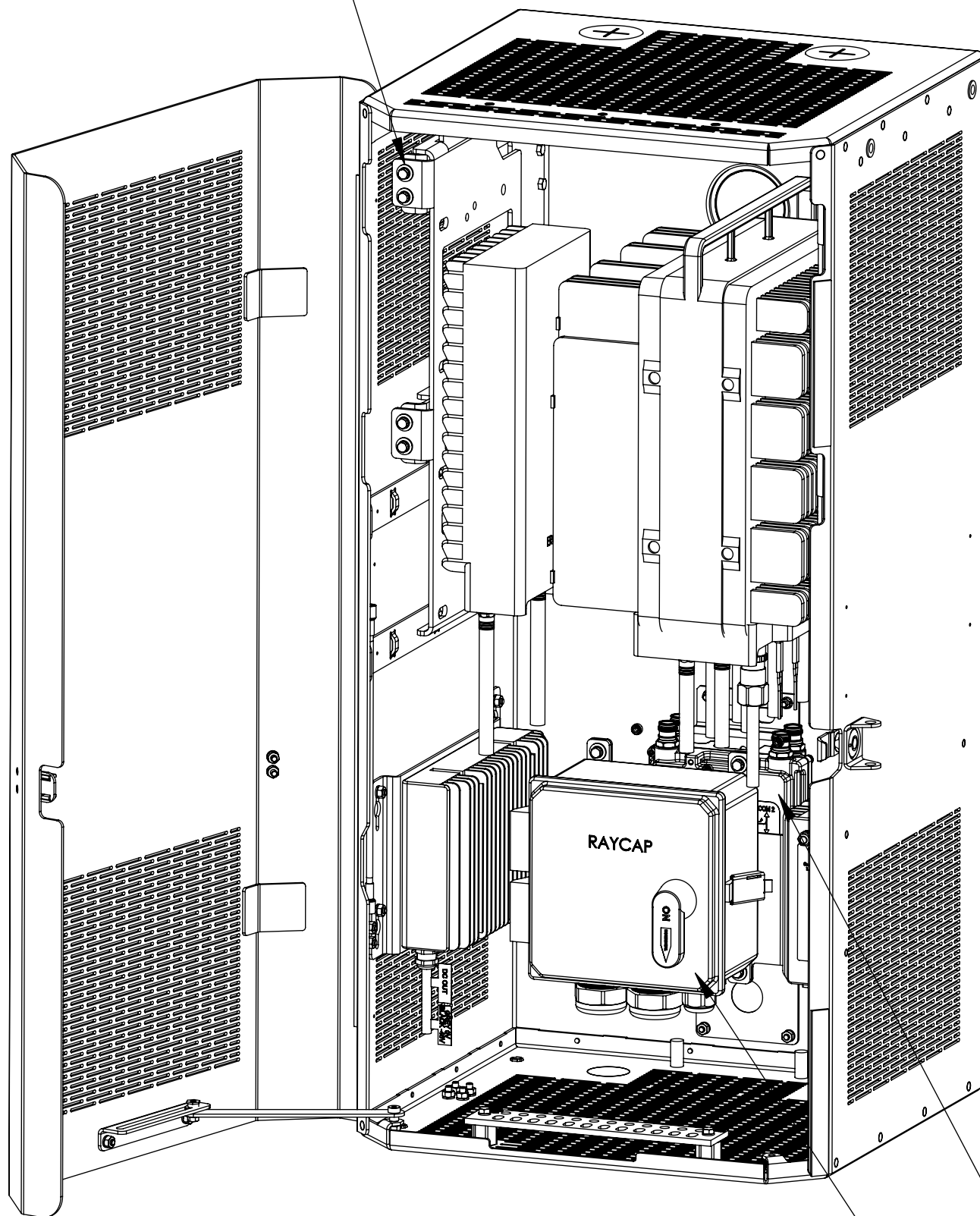
NOTES:

ERC8843 AND 4435 INSTALLATION



RHS MOUNTING BRACKET

M6 SEM SCREWS



M6 SEM SCREWS

DIPLEXER SHOWN FOR REFERENCE ONLY

SHOWN FOR REFERENCE ONLY. INCLUDED IN SSC-760237600EXK OR CAN BE PURCHASED SEPARATELY

STEP 2

HANG THE SUB-ASSEMBLIES FROM STEP 1 IN THE ENCLOSURE AS SHOWN AND SECURE BY 4 SETS OF M6 SEM SCREWS ON EACH SIDE

STEP 1

A) INSTALL ERC8843 TO THE RHS MOUNTING BRACKET USING 4 SETS OF M8 SCREWS, LOCK AND FLAT WASHERS

B) INSTALL ERC4435 TO THE LHS MOUNTING BRACKET USING 4 SETS OF M6 SCREWS, LOCK AND FLAT WASHERS

LHS MOUNTING BRACKET

ERC 4435



| | | | | |
|---------|-------|---------------------|--------|----------|
| TITLE | | 760237600E1 INSTALL | | |
| SIZE | SCALE | DOCUMENT NO. | | |
| C | 1:6 | 760237600E1 INSTALL | | |
| DRAWING | | VERSION | STATUS | REVISION |
| SHEET | | 10 | RE | E |
| SHEET | | | | 9 OF 17 |

Confidential

4

3

2

1

4

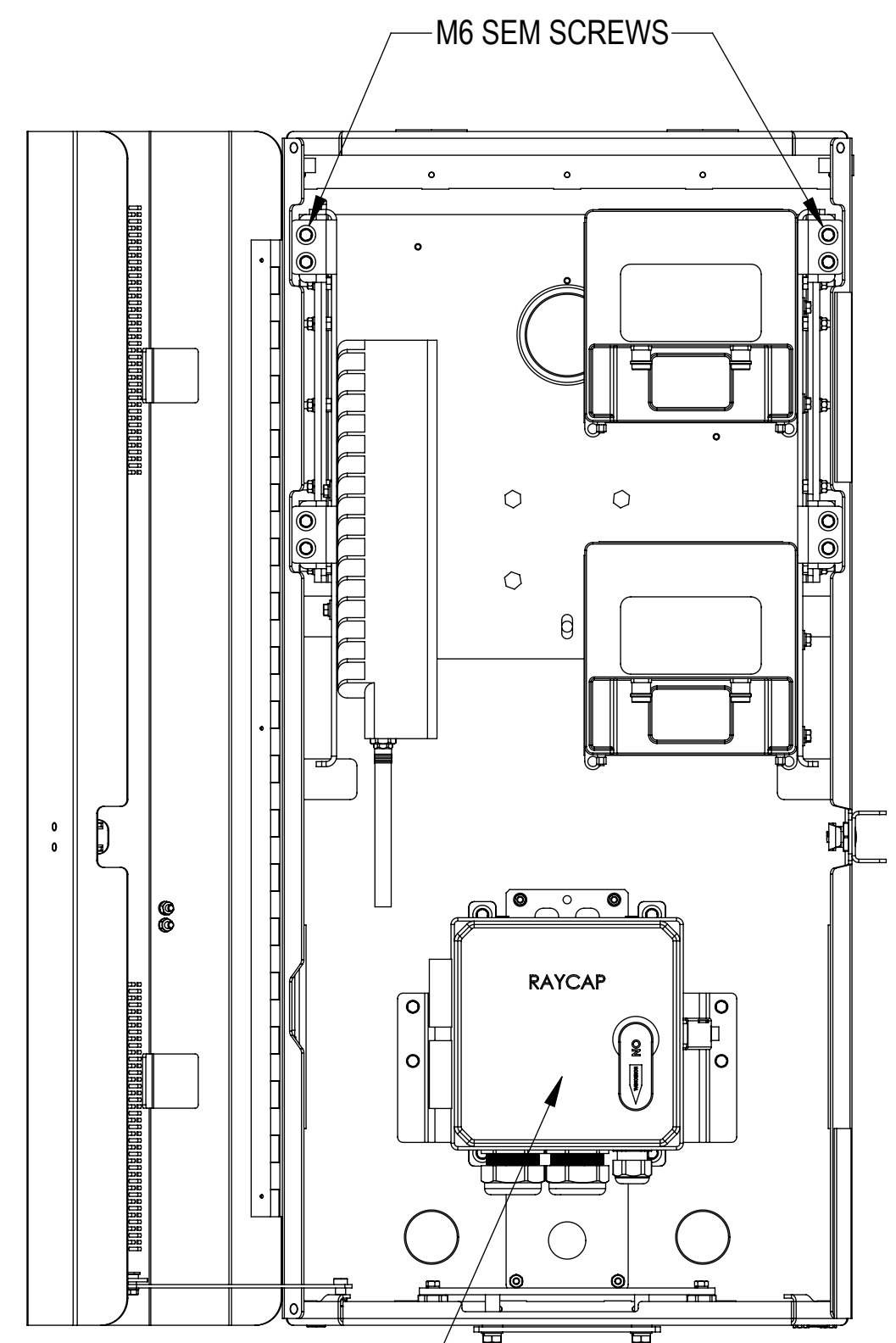
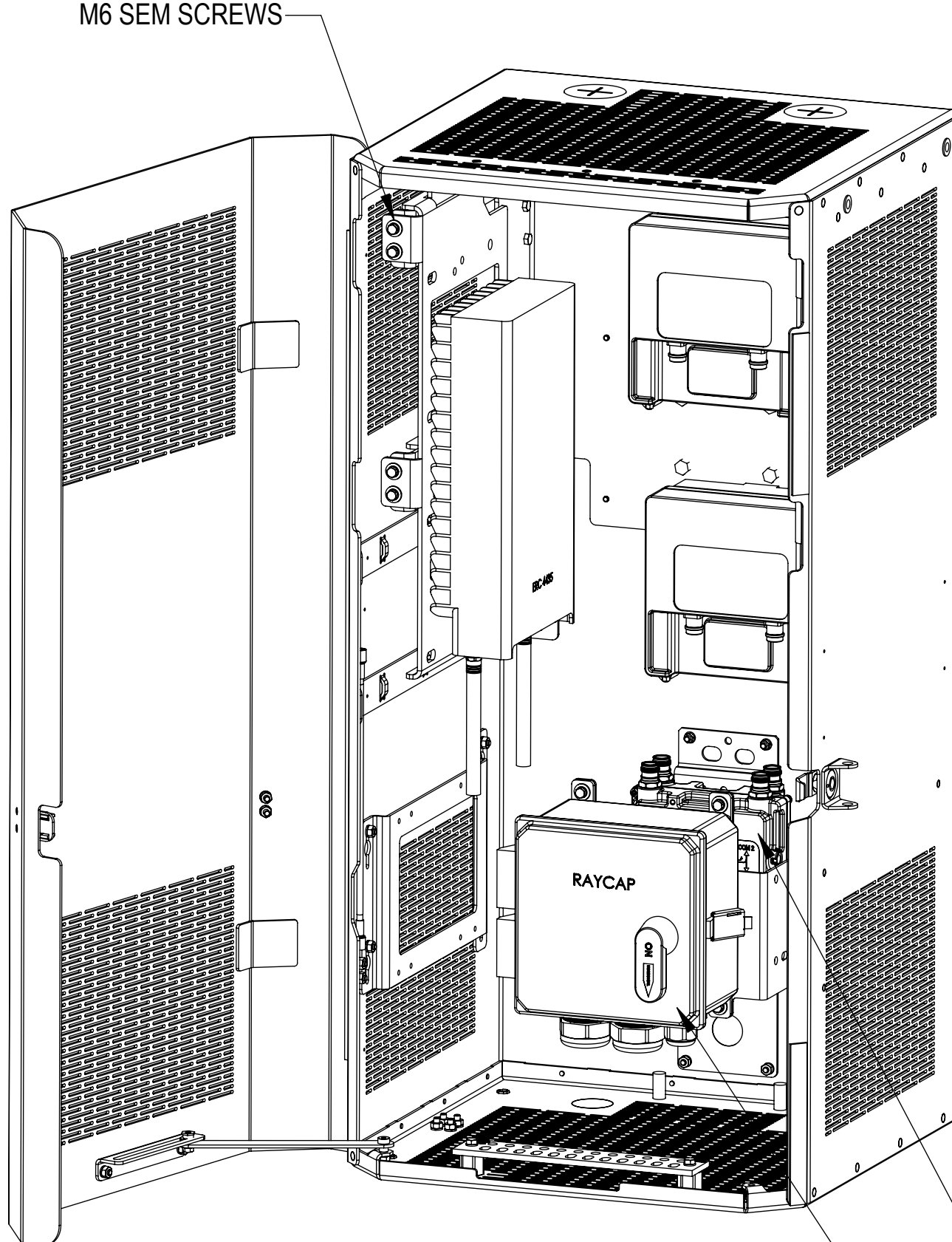
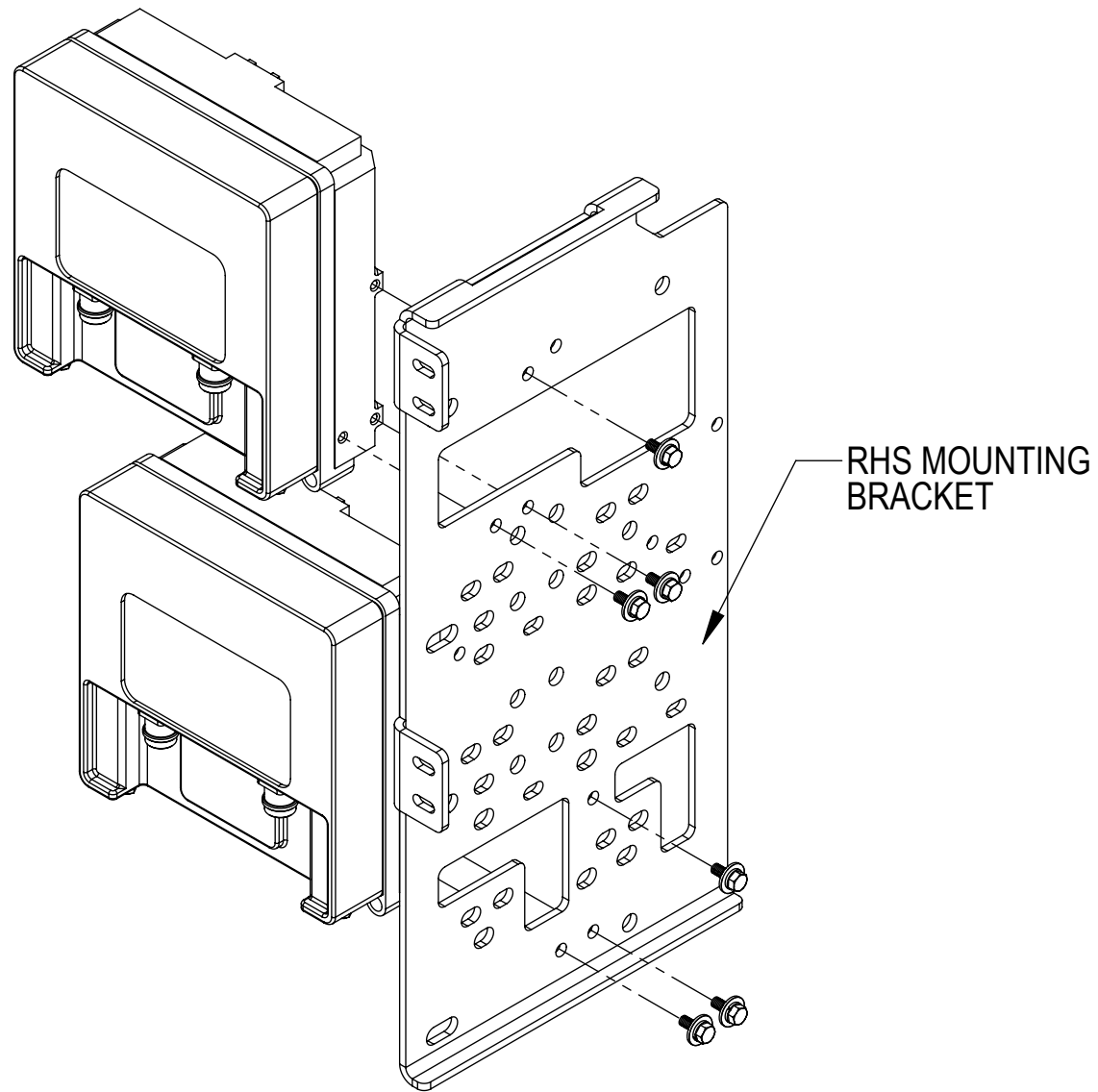
3

2

1

NOTES:

ERC4435 AND 2203 INSTALLATION-1



STEP 2

HANG THE SUB-ASSEMBLIES FROM STEP 1 IN THE ENCLOSURE AS SHOWN AND SECURE BY 4 SETS OF M6 SEM SCREWS ON EACH SIDE

STEP 1

A) INSTALL ERC2203 TO THE RHS MOUNTING BRACKET USING 6 SETS OF M6 SCREWS, LOCK AND FLAT WASHERS

B) INSTALL ERC4435 TO THE LHS MOUNTING BRACKET USING 4 SETS OF M6 SCREWS, LOCK AND FLAT WASHERS



| | | | | |
|----------|------------|---------------------|--------|----------|
| TITLE | | 760237600E1 INSTALL | | |
| SIZE | SCALE | DOCUMENT NO. | | |
| C | 1:6 | 760237600E1 INSTALL | | |
| DRAWING | | VERSION | STATUS | REVISION |
| | | 10 | RE | E |
| SHEET | | | | 10 OF 17 |

Confidential

4

3

2

1

4

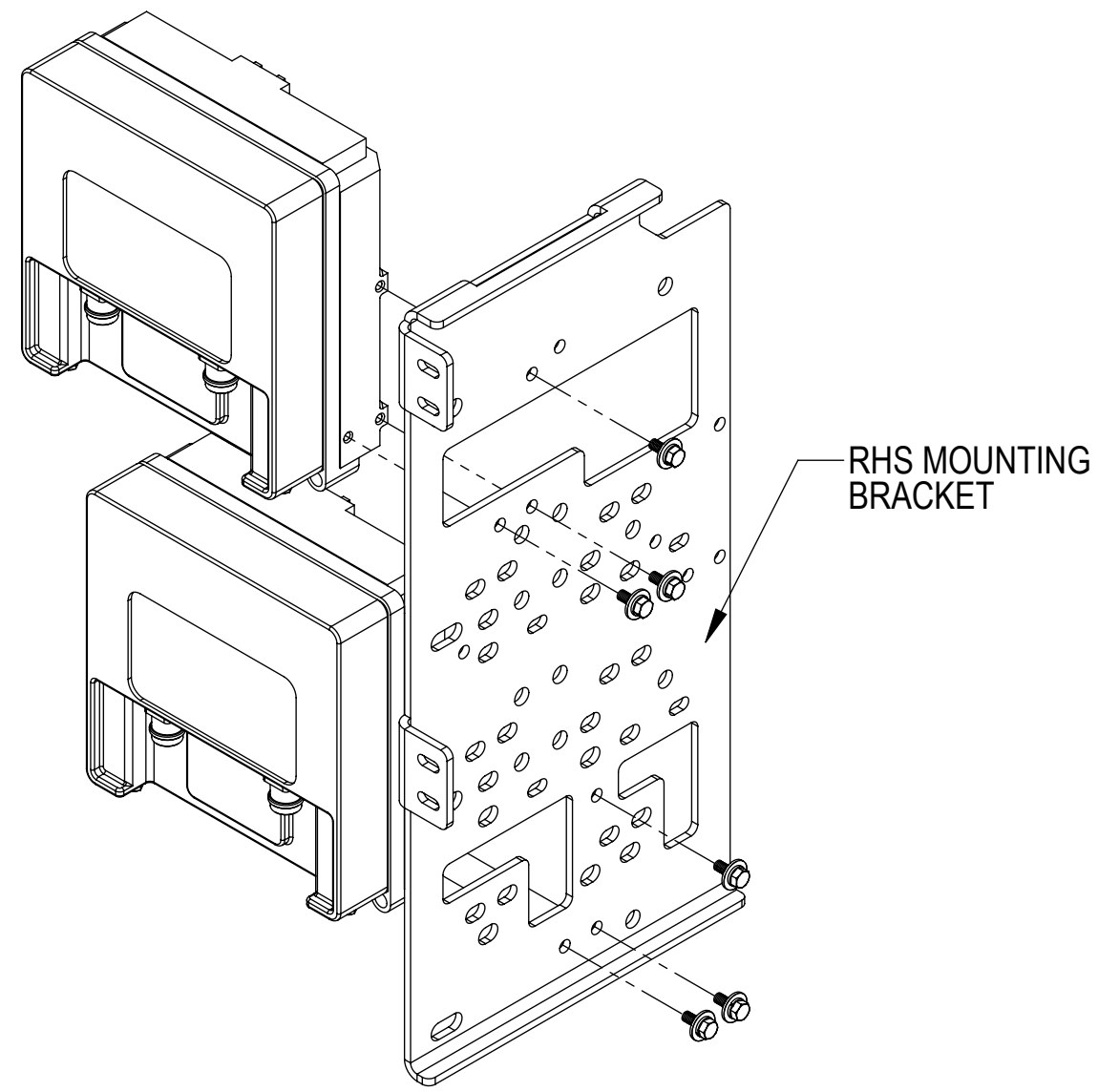
3

2

1

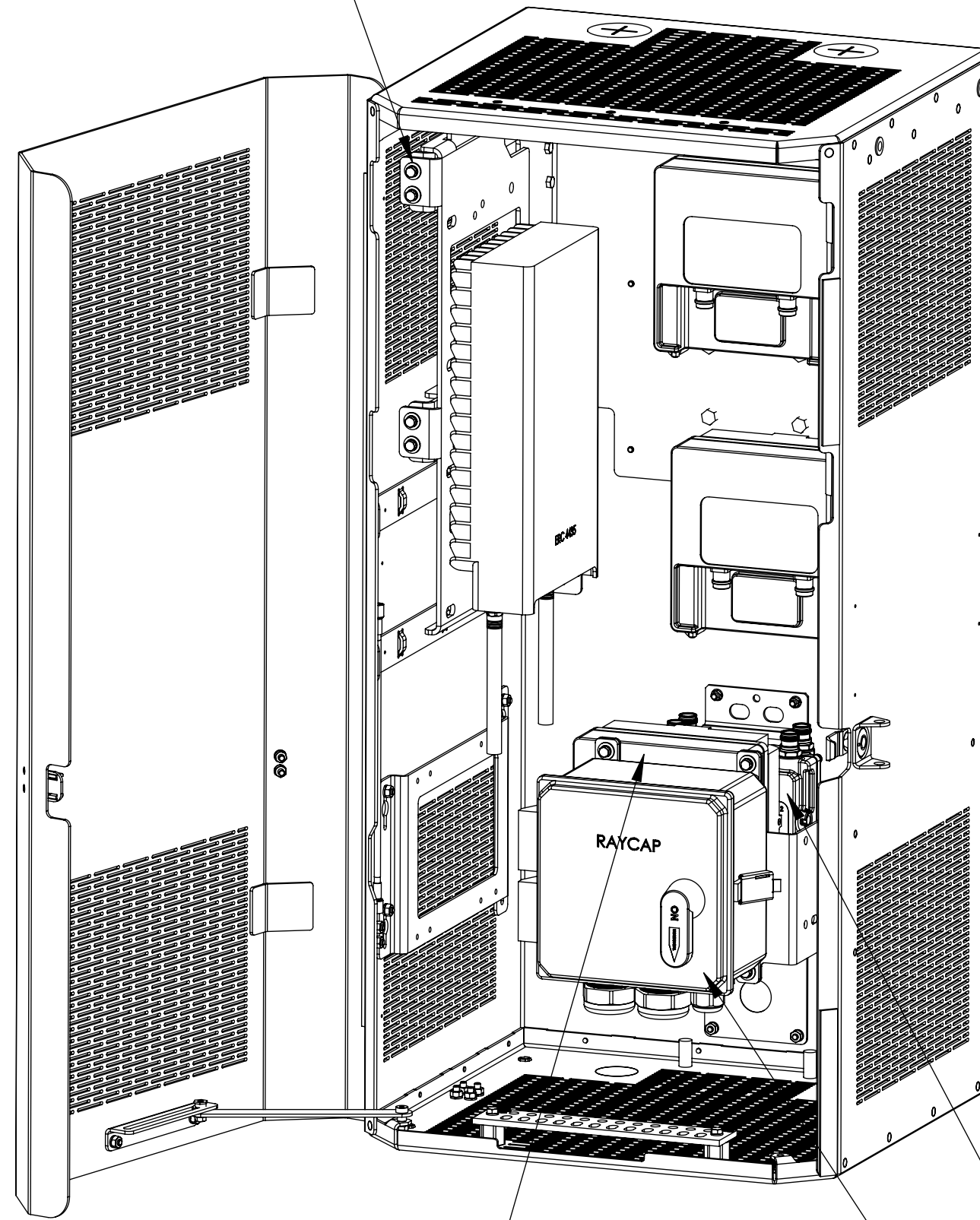
NOTES:

ERC4435 AND 2203 INSTALLATION-2



RHS MOUNTING BRACKET

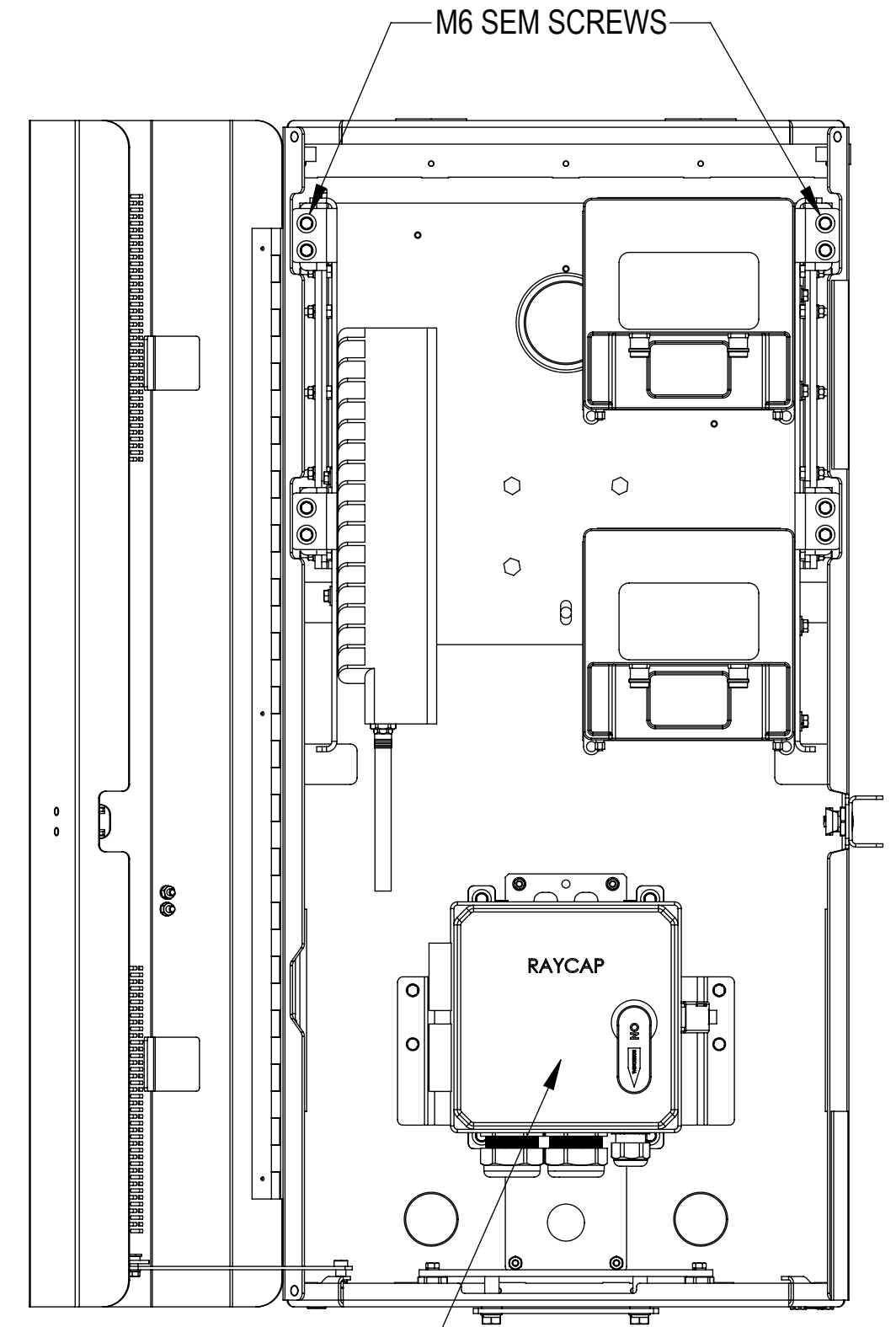
M6 SEM SCREWS



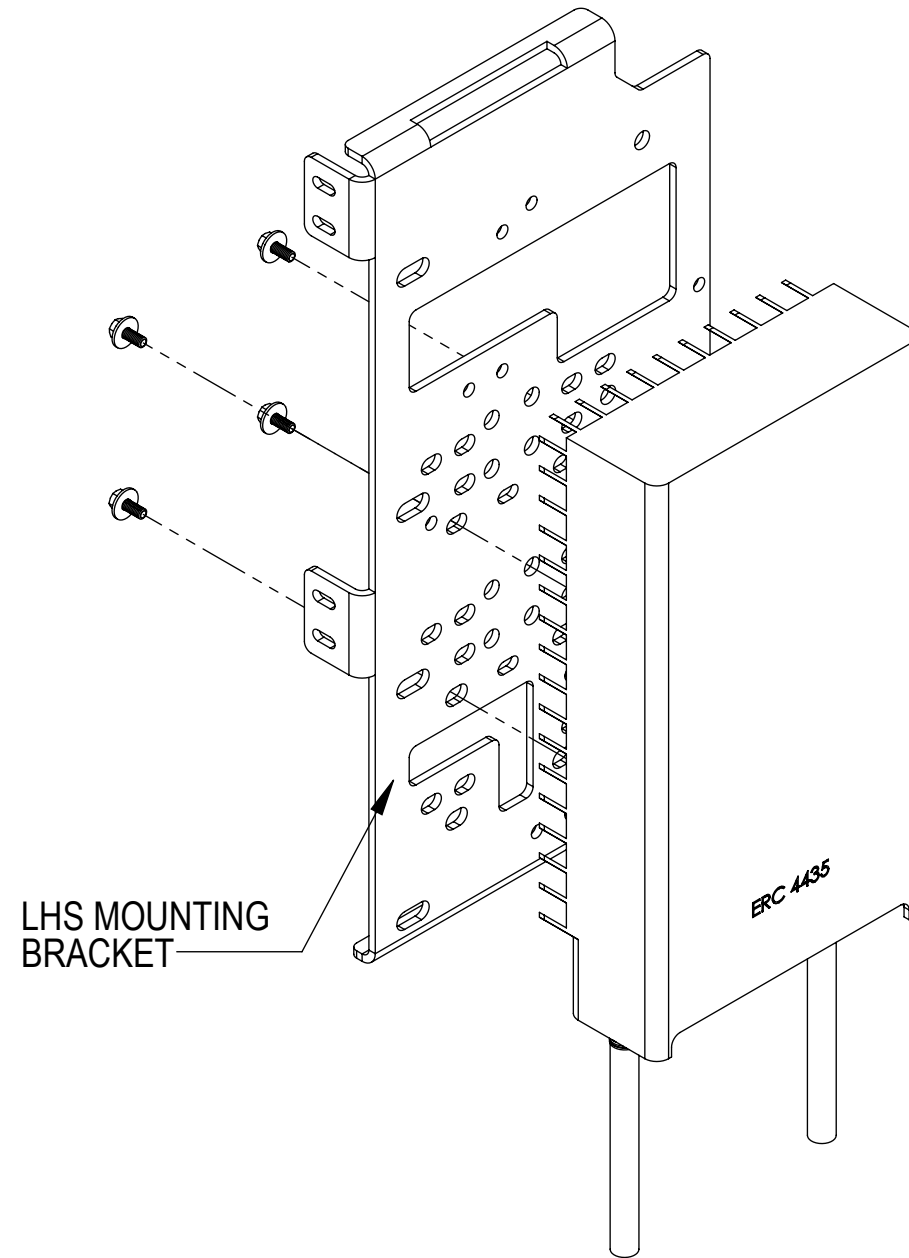
ERC2205. SEE SHEET 13 FOR MOUNTING INSTRUCTIONS

DIPLEXER SHOWN FOR REFERENCE ONLY

SHOWN FOR REFERENCE ONLY. INCLUDED IN SSC-760237600EXK OR CAN BE PURCHASED SEPARATELY



M6 SEM SCREWS



LHS MOUNTING BRACKET

ERC 4435

STEP 2

HANG THE SUB-ASSEMBLIES FROM STEP 1 IN THE ENCLOSURE AS SHOWN AND SECURE BY 4 SETS OF M6 SEM SCREWS ON EACH SIDE

STEP 1

A) INSTALL ERC2203 TO THE RHS MOUNTING BRACKET USING 6 SETS OF M6 SCREWS, LOCK AND FLAT WASHERS

B) INSTALL ERC4435 TO THE LHS MOUNTING BRACKET USING 4 SETS OF M6 SCREWS, LOCK AND FLAT WASHERS



| | | | | |
|---------|-------|---------------------|--------|----------|
| TITLE | | 760237600E1 INSTALL | | |
| SIZE | SCALE | DOCUMENT NO. | | |
| C | 1:6 | 760237600E1 INSTALL | | |
| DRAWING | | VERSION | STATUS | REVISION |
| | | 10 | RE | E |
| SHEET | | | | 11 OF 17 |

Confidential

4

3

2

1

4

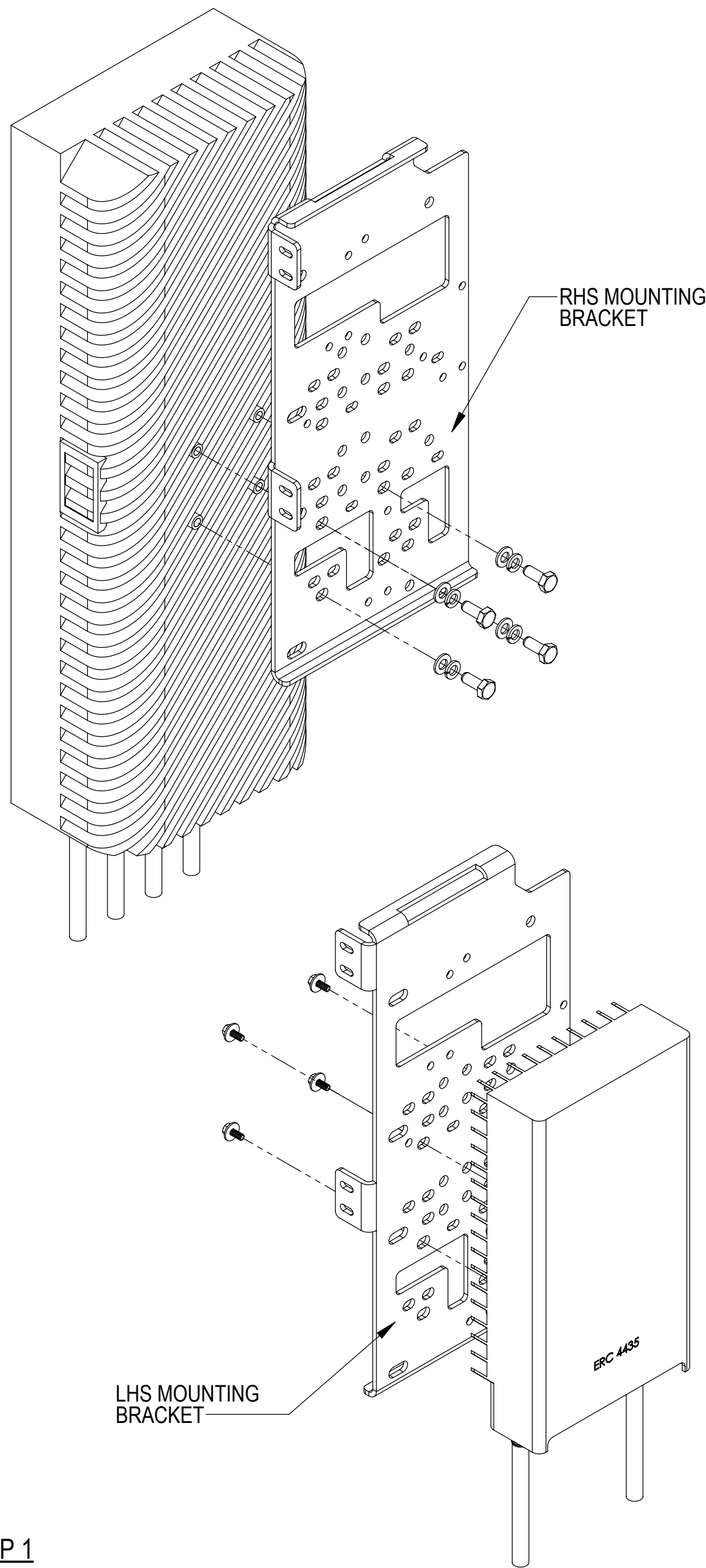
3

2

1

NOTES:

ERC4435 AND 4455 INSTALLATION

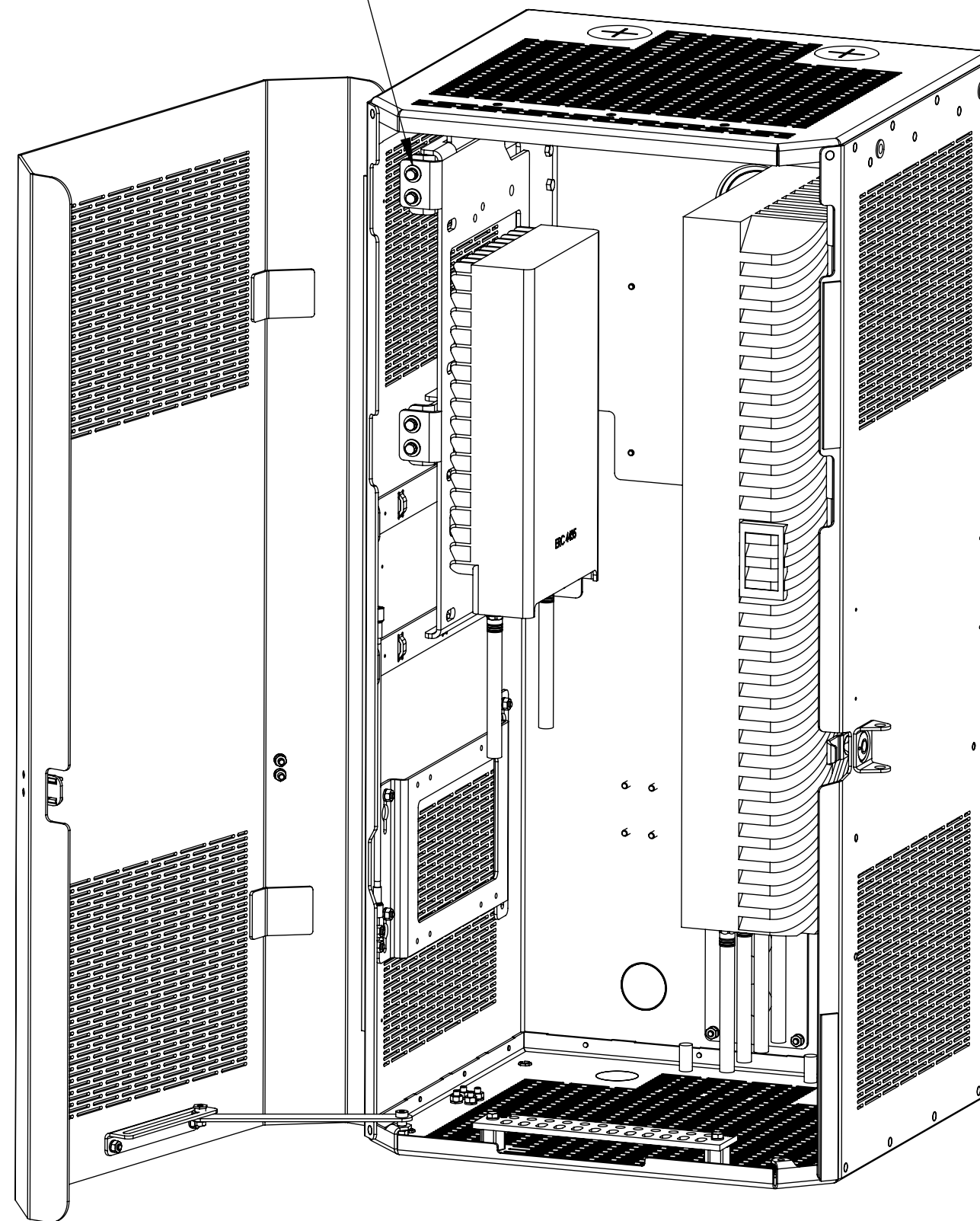


STEP 1

A) INSTALL ERC4455 TO THE RHS MOUNTING BRACKET USING 4 SETS OF M10 SCREWS, LOCK AND FLAT WASHERS

B) INSTALL ERC4435 TO THE LHS MOUNTING BRACKET USING 4 SETS OF M6 SCREWS, LOCK AND FLAT WASHERS

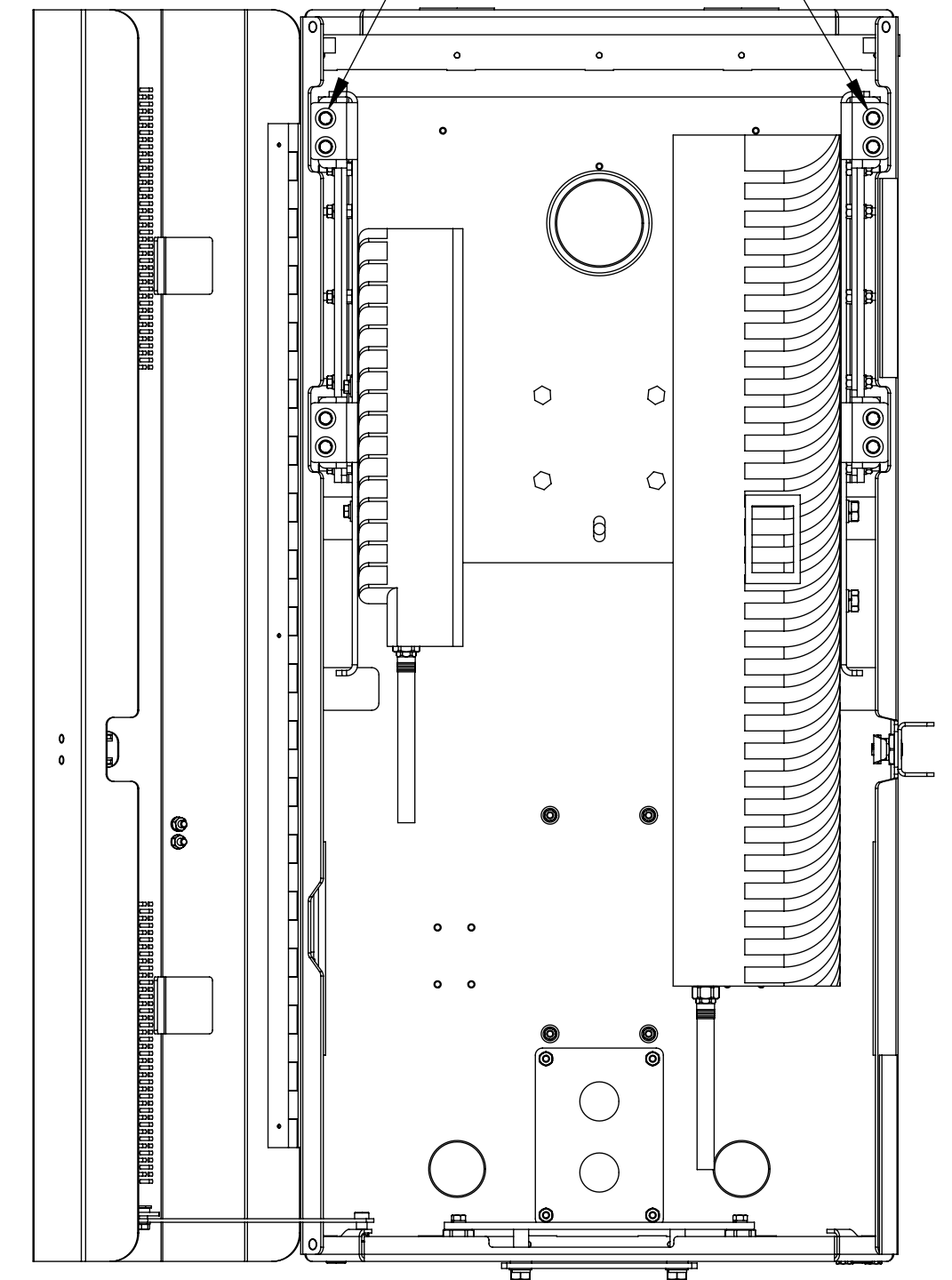
M6 SEM SCREWS



STEP 2

HANG THE SUB-ASSEMBLIES FROM STEP 1 IN THE ENCLOSURE AS SHOWN AND SECURE BY 4 SETS OF M6 SEM SCREWS ON EACH SIDE

M6 SEM SCREWS



| | | | | |
|--------------|------------|---------------------|--------|----------|
| TITLE | | 760237600E1 INSTALL | | |
| SIZE | SCALE | DOCUMENT NO. | | |
| C | 1:6 | 760237600E1 INSTALL | | |
| | | DRAWING | | SHEET |
| | | VERSION | STATUS | |
| Confidential | | 10 | RE | E |
| | | | | 12 OF 17 |

4

3

2

1

4

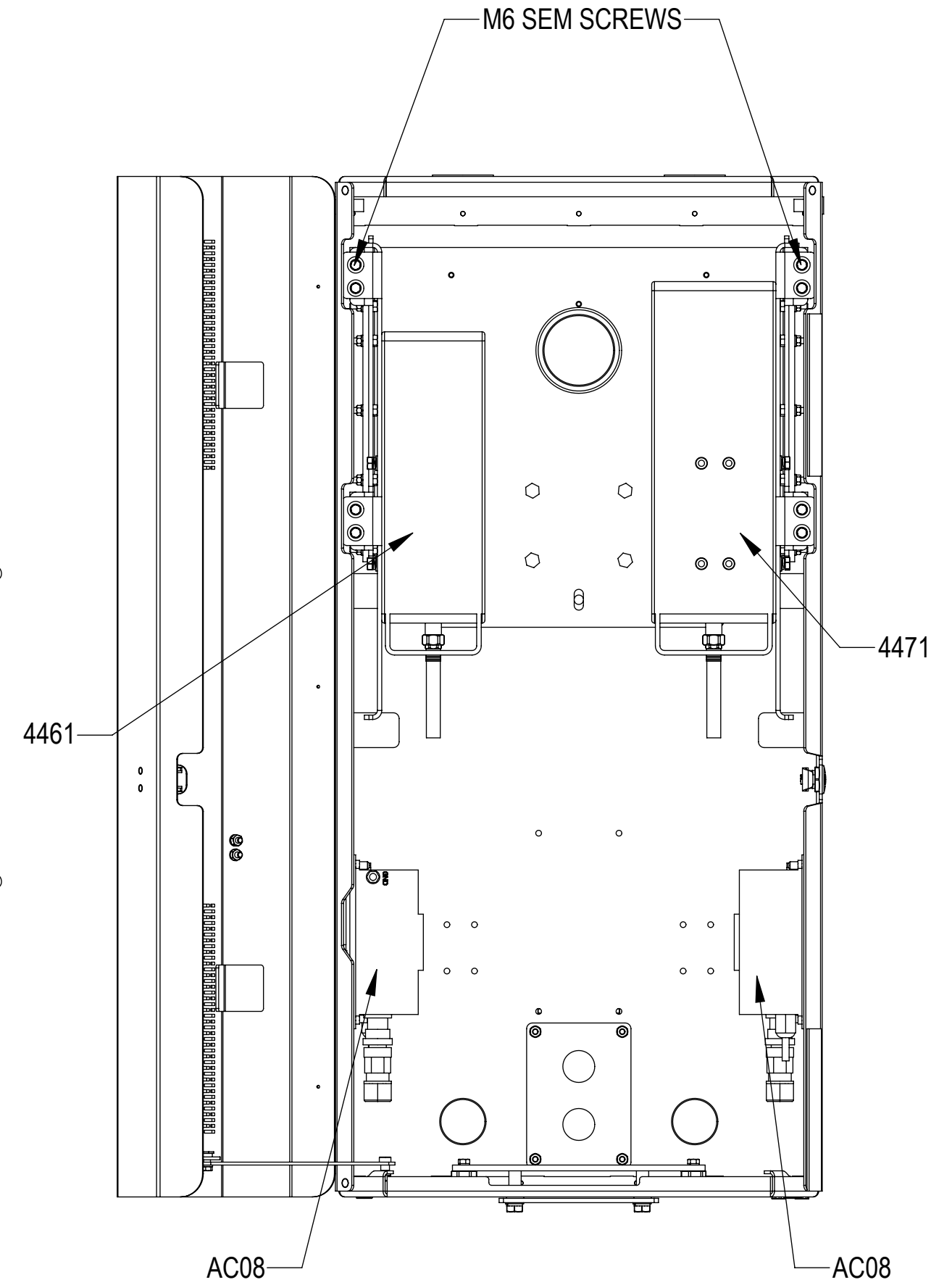
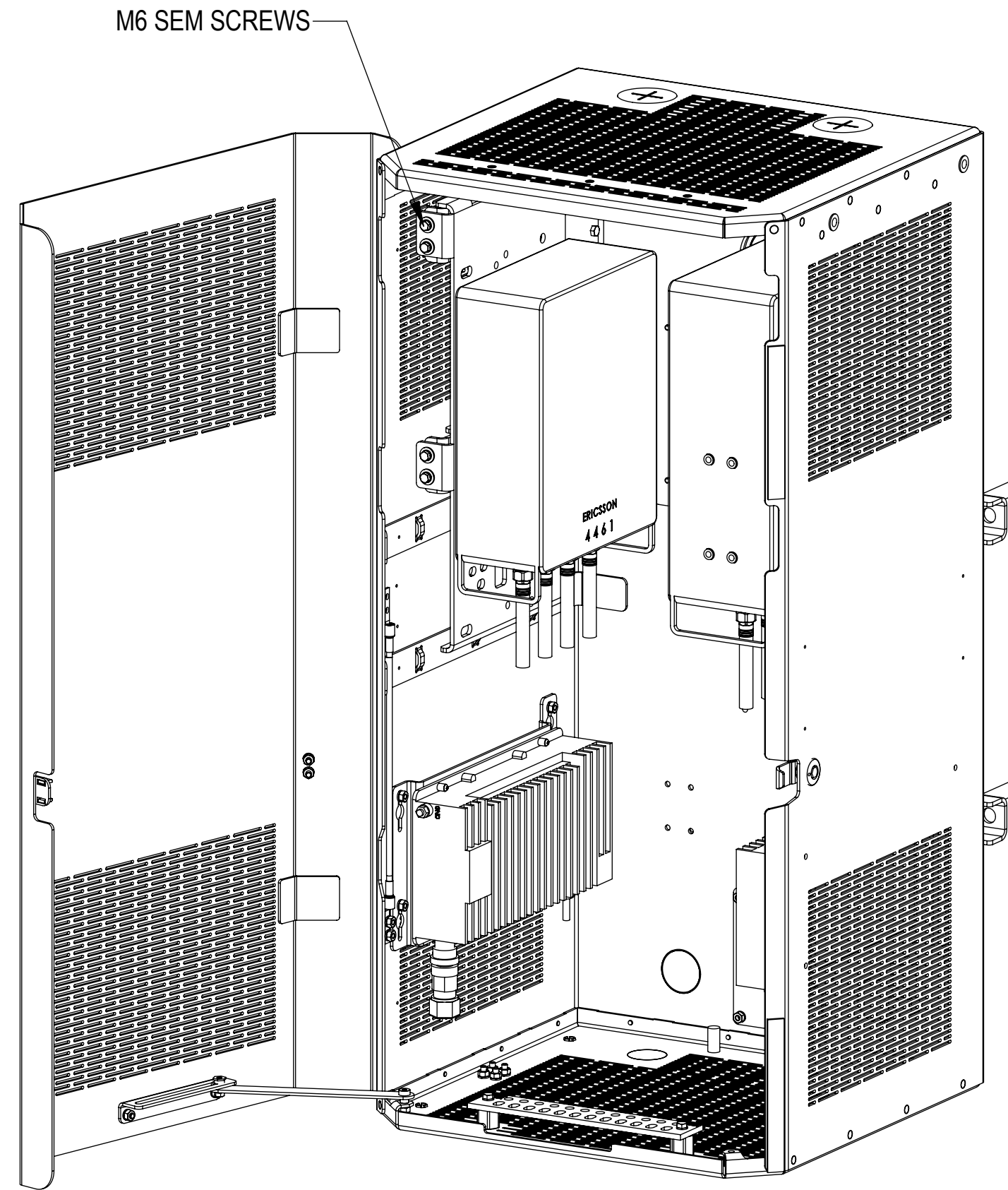
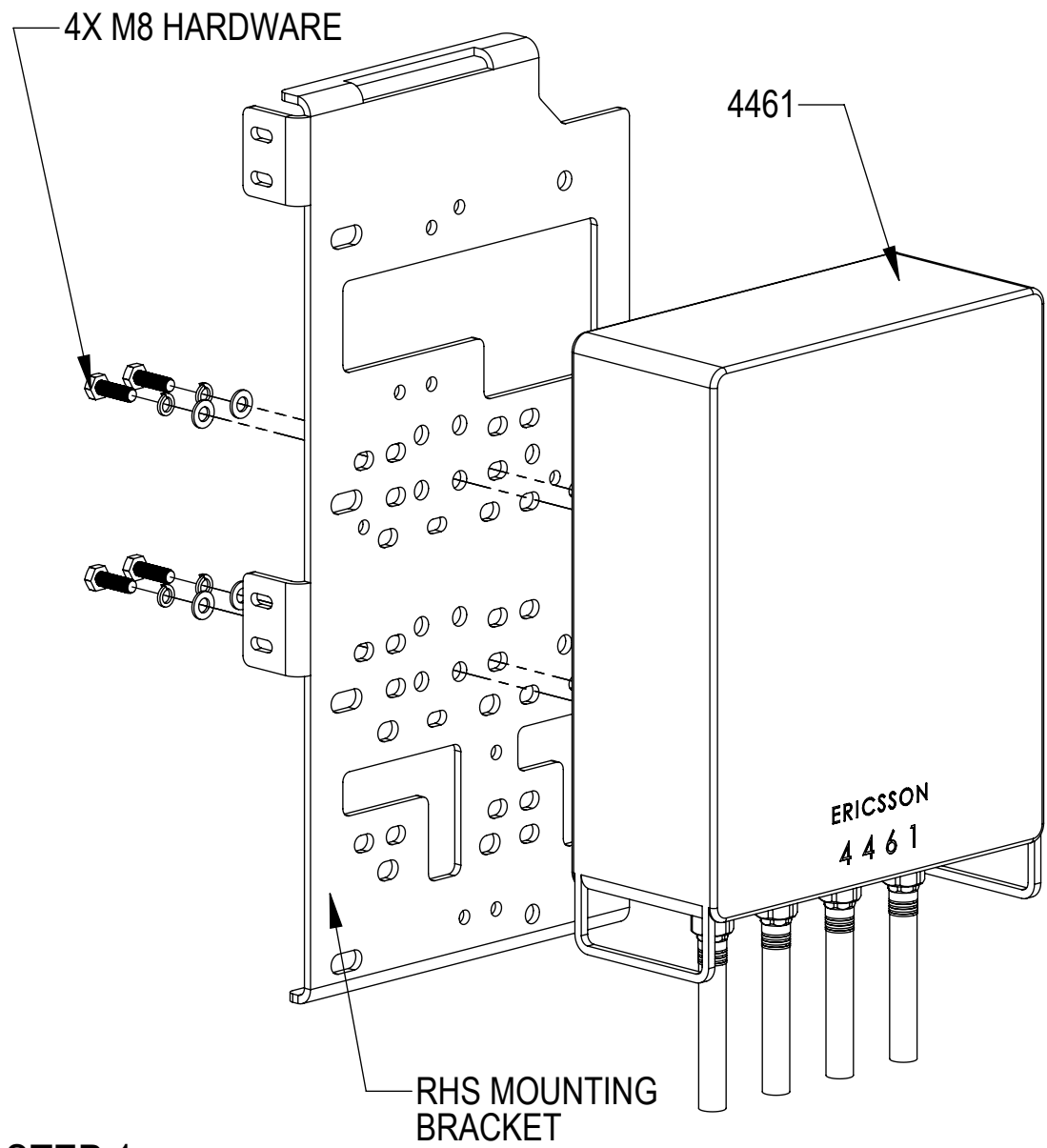
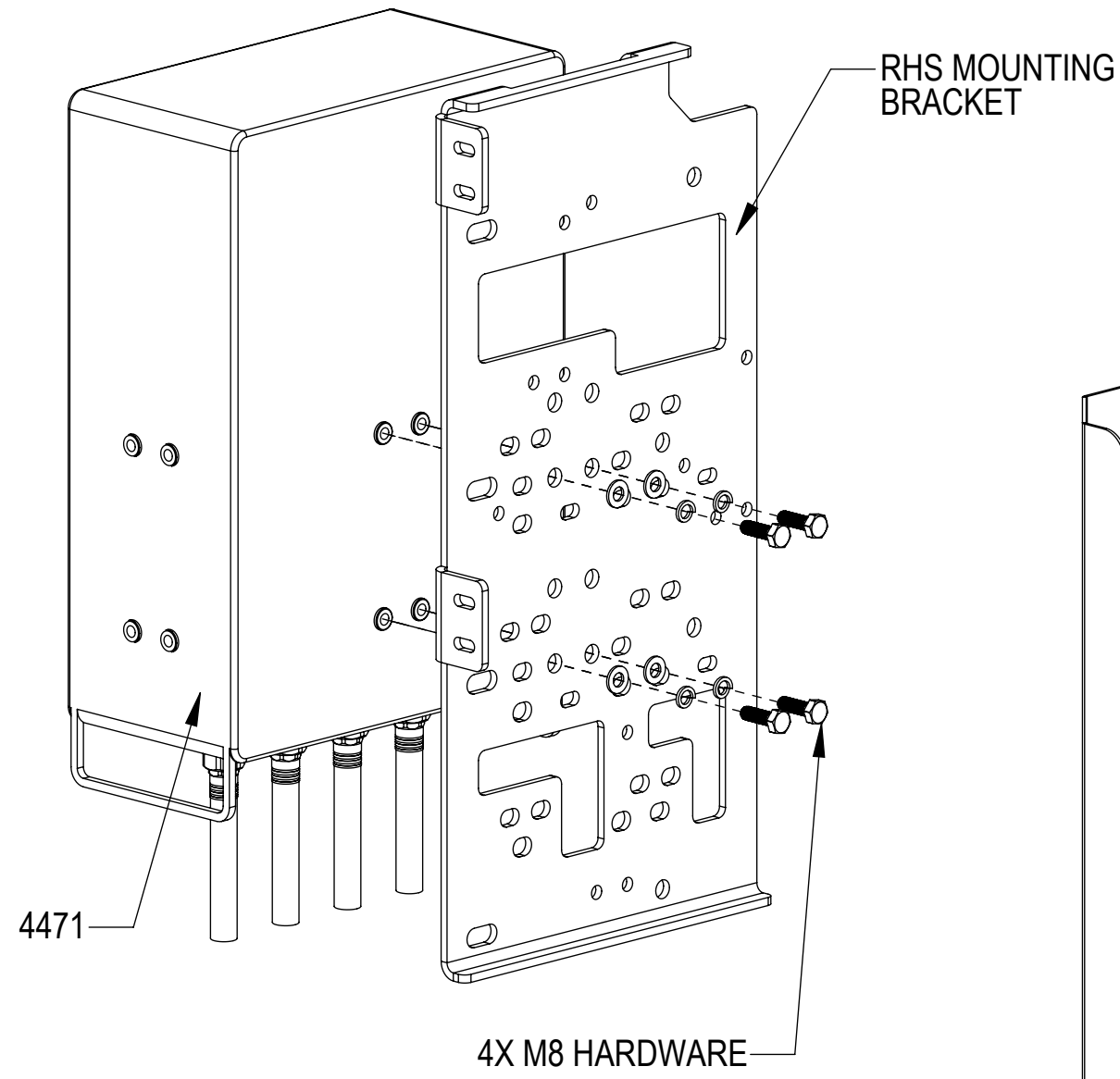
3

2

1

NOTES:

ERC4461, 4471 AND 2X AC08 INSTALLATION



STEP 2

HANG THE SUB-ASSEMBLIES FROM STEP 1 IN THE ENCLOSURE AS SHOWN AND SECURE BY 4 SETS OF M6 SEM SCREWS ON EACH SIDE

STEP 1

A) INSTALL ERC4471 TO THE RHS MOUNTING BRACKET USING 4 SETS OF M8 SCREWS, LOCK AND FLAT WASHERS

B) INSTALL ERC4461 TO THE LHS MOUNTING BRACKET USING 4 SETS OF M8 SCREWS, LOCK AND FLAT WASHERS



| | | | | |
|----------|-------------|---------------------|--------|----------|
| TITLE | | 760237600E1 INSTALL | | |
| SIZE | SCALE | DOCUMENT NO. | | |
| C | 1:12 | 760237600E1 INSTALL | | |
| DRAWING | | VERSION | STATUS | REVISION |
| | | 10 | RE | E |
| SHEET | | | | 13 OF 17 |

Confidential

4

3

2

1

4

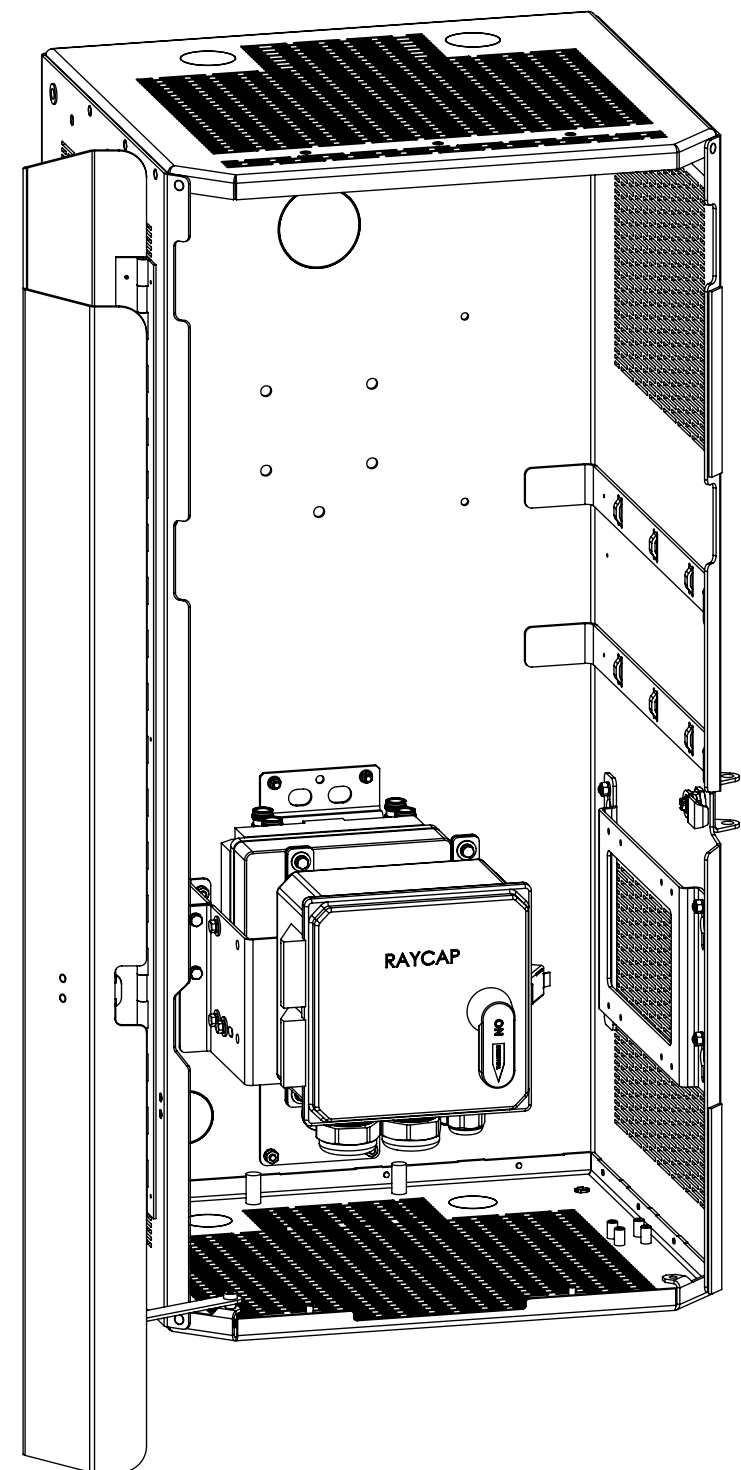
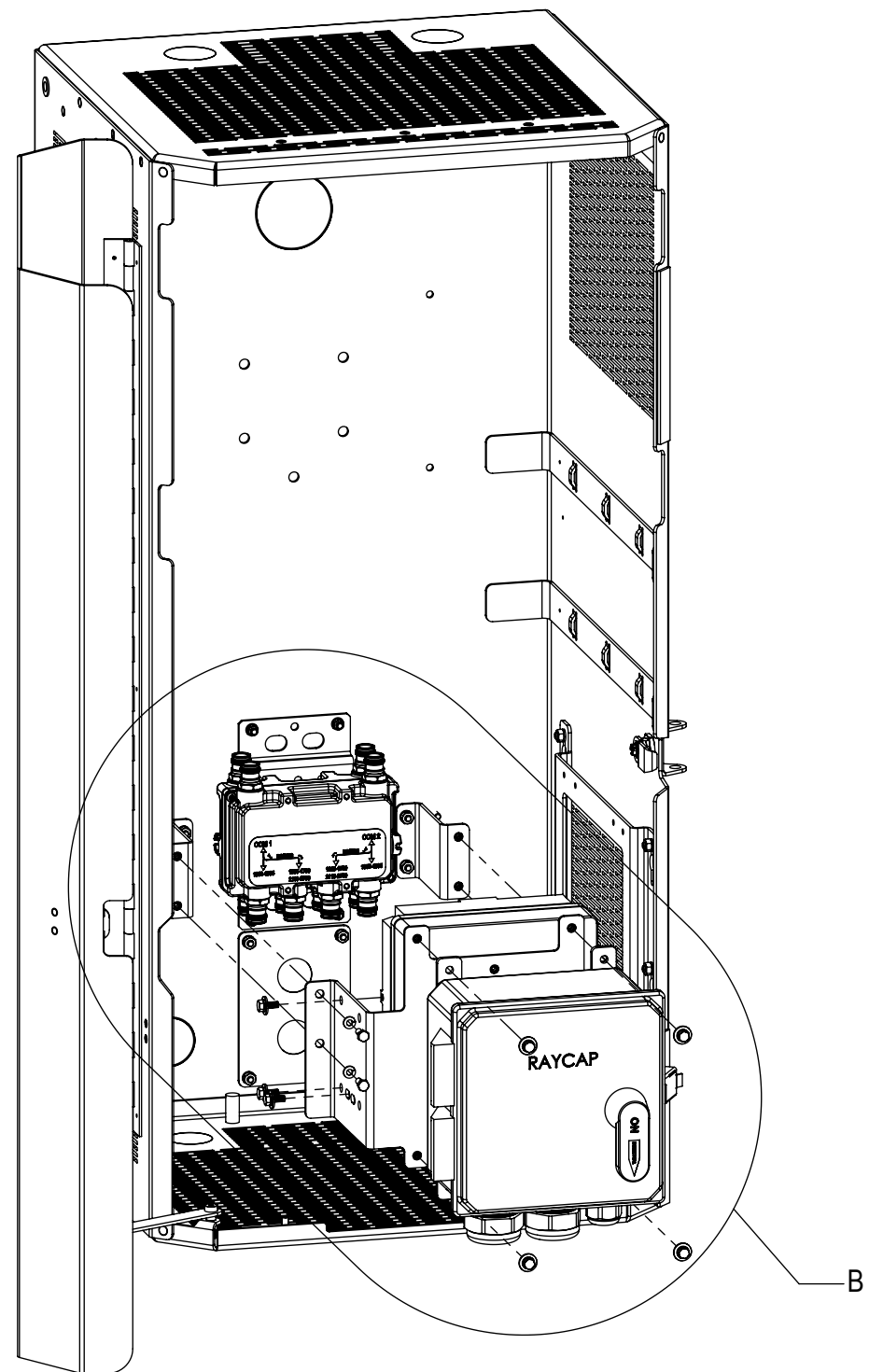
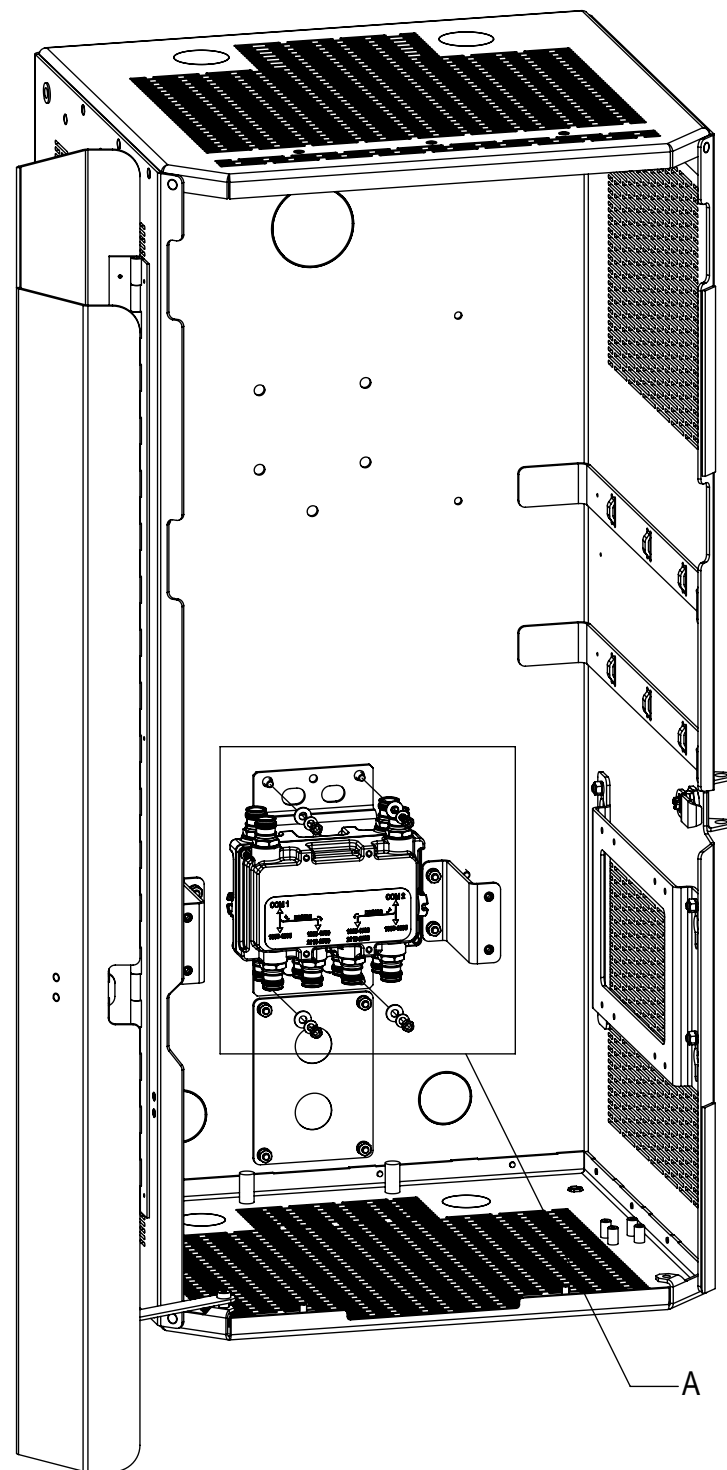
3

2

1

NOTES:

DIPLEXER, RAYCAP, ERC2205 INSTALLATION

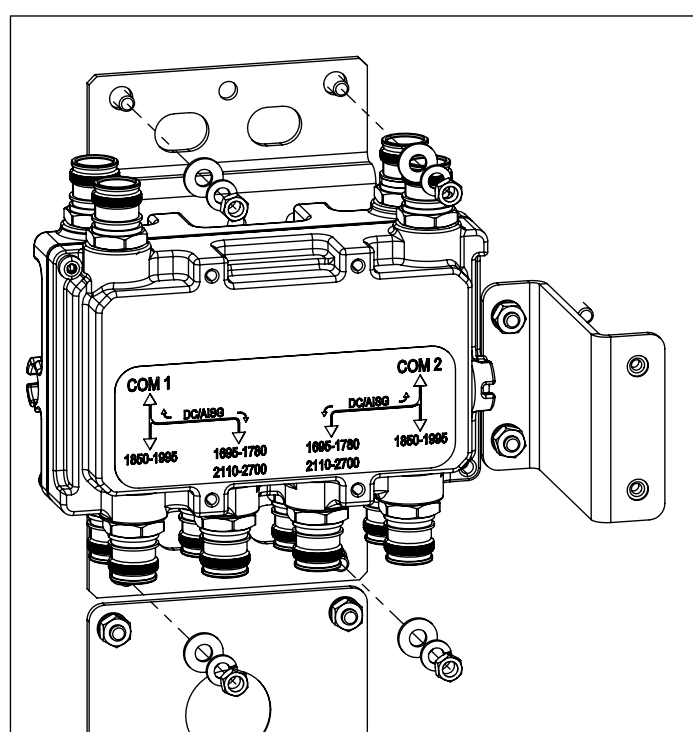


STEP 2

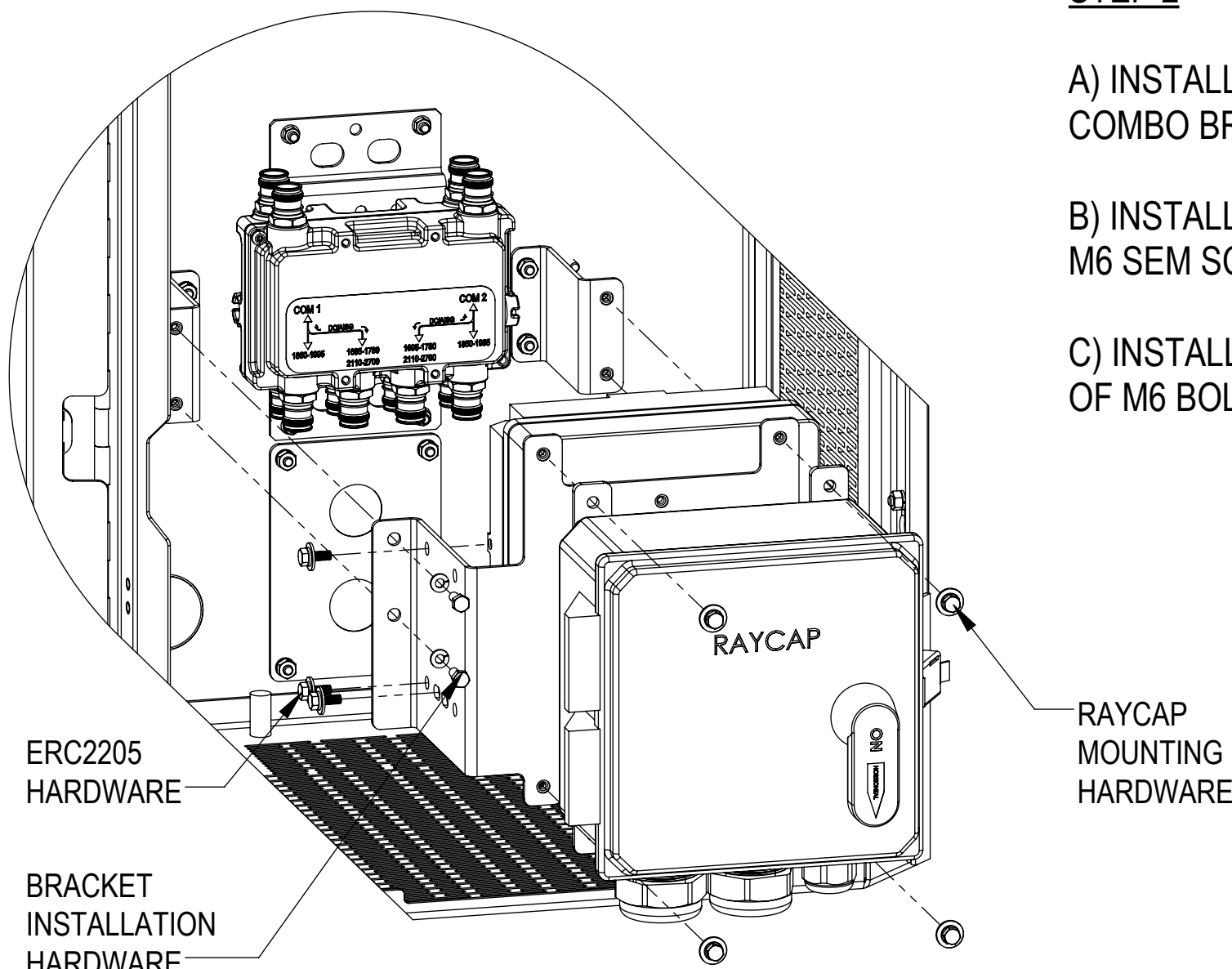
A) INSTALL THE ERC2205 RADIO TO RIGHT OR LEFT SIDE OF THE COMBO BRACKET USING 3 SETS OF M6 SEM SCREWS

B) INSTALL THE RAYCAP TO THE COMBO BRACKET USING 4 SETS OF M6 SEM SCREWS.

C) INSTALL THIS SUB-ASSEMBLY TO THE ENCLOSURE USING 4 SETS OF M6 BOLTS AND LOCK WASHERS



DETAIL A
SCALE 1:3



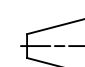


DETAIL B
SCALE 1:4

STEP 1

A) REMOVE THE PRE-INSTALLED COMBO BRACKET

B) INSTALL THE DIPLEXER TO THE ENCLOSURE USING 4 SETS OF 1/4" NUTS, LOCK AND FLAT WASHERS

| | | | | |
|---|---------------------|-------------------------------------|--------------|---------------|
|  ANDREW an Amphenol company | | | | |
| TITLE 760237600E1 INSTALL | | | | |
| SIZE C | SCALE 1:6 | DOCUMENT NO. 760237600E1 INSTALL | | |
|   | | DRAWING | | SHEET |
| | | VERSION 10 | STATUS RE | REVISION E |

Confidential

4

3

2

1

4

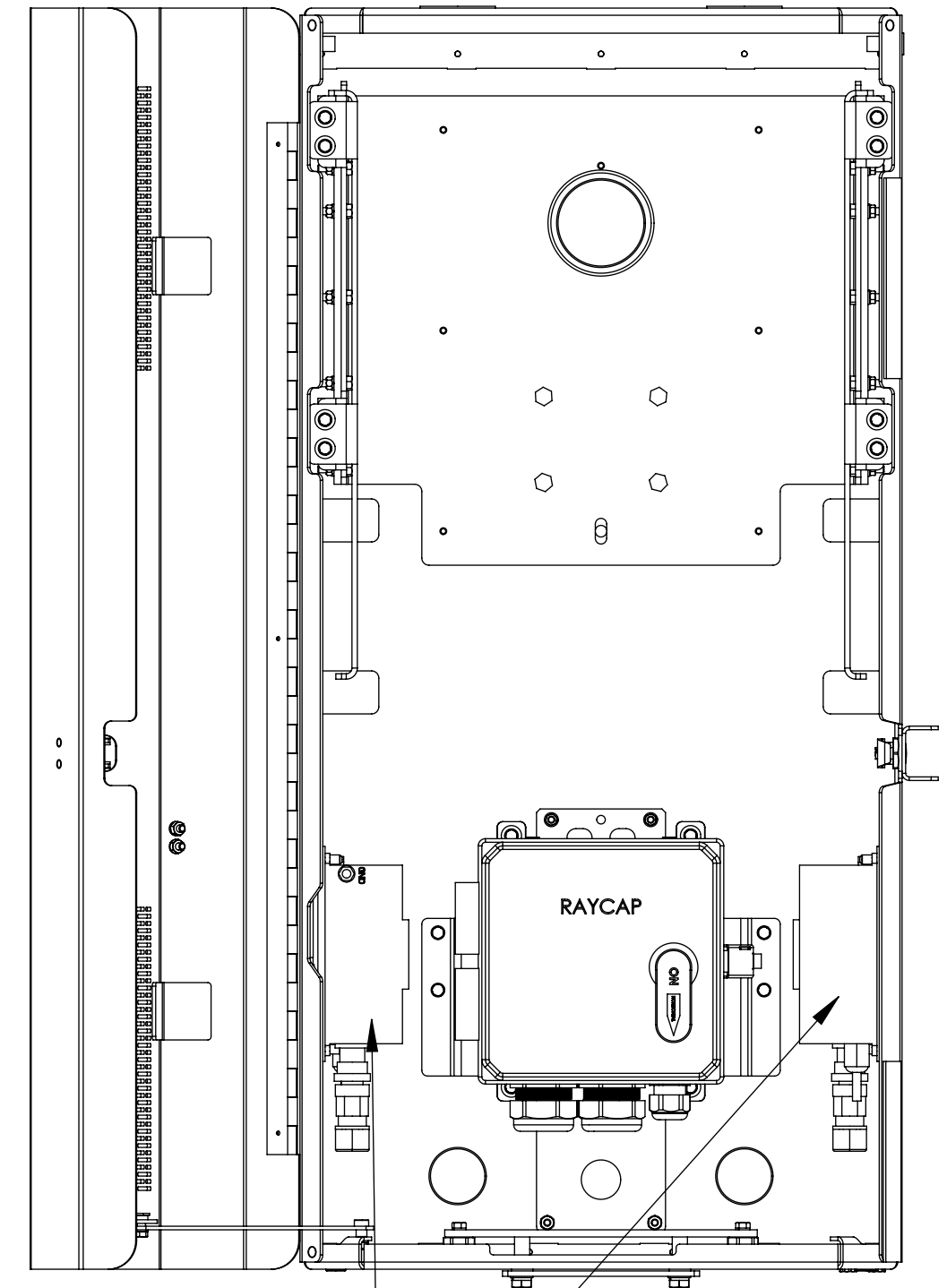
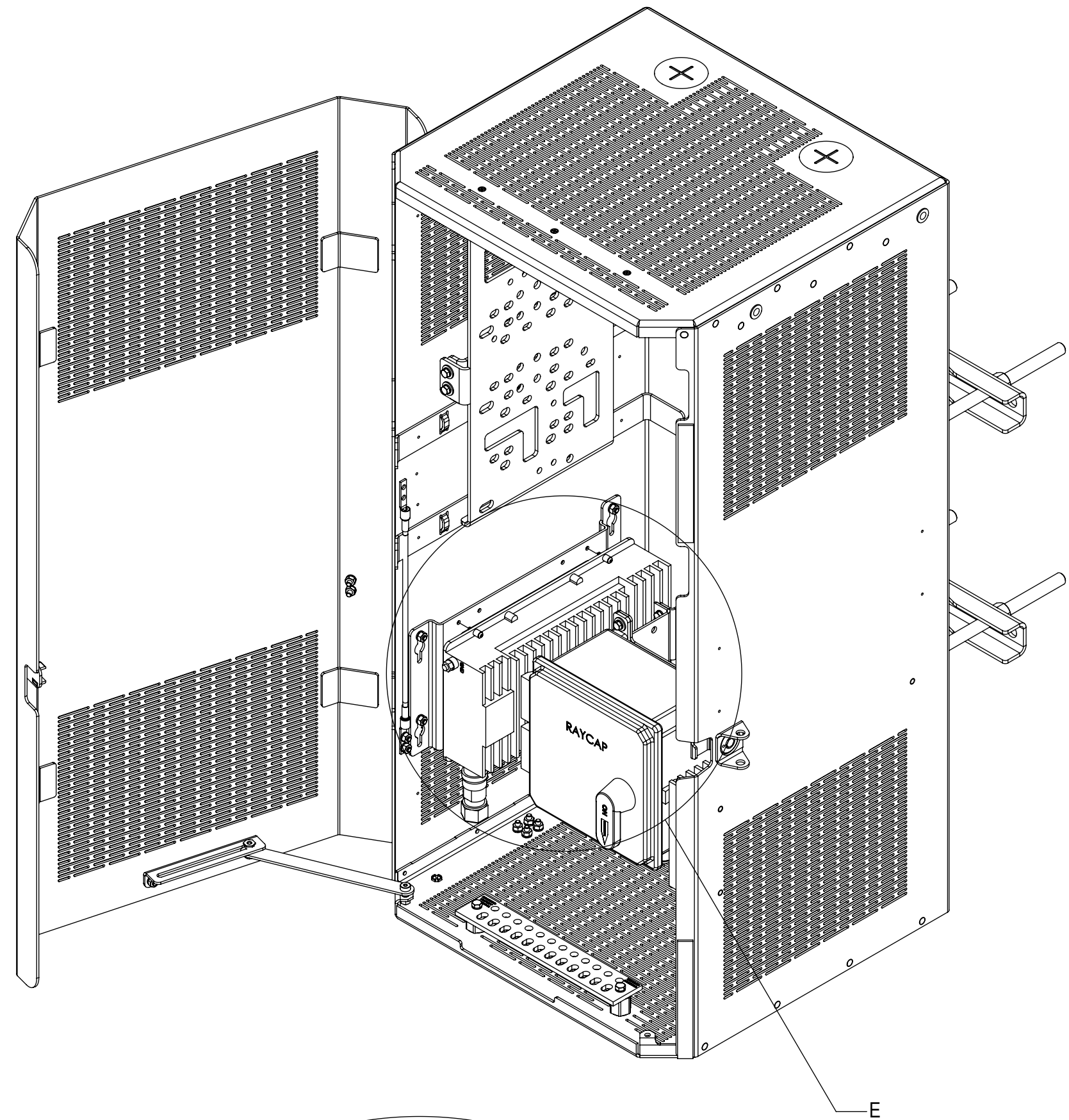
3

2

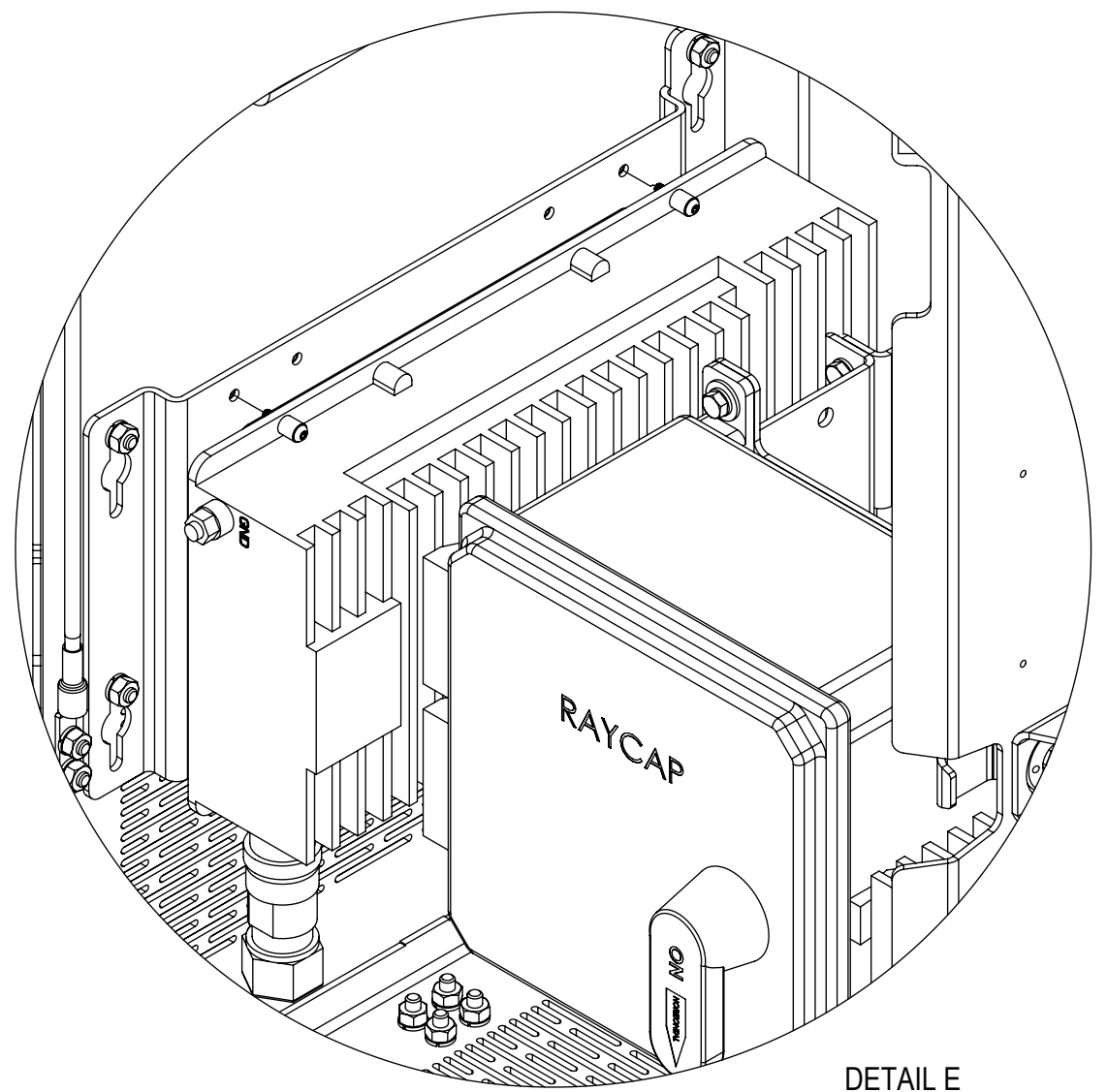
1

NOTES:

PSU AC02 / AC08 INSTALLATION




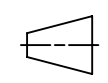
PSU AC02 / AC08



DETAIL E
SCALE 1 : 3

INSTALL THE PSU TO THE BRACKET USING M4 CAPTIVE HARDWARE PROVIDED WITH THE PSU.



| | | | | |
|---|------------|---------------------|--------|----------|
| TITLE | | 760237600E1 INSTALL | | |
| SIZE | SCALE | DOCUMENT NO. | | |
| C | 1:6 | 760237600E1 INSTALL | | |
|   | | DRAWING | | SHEET |
| | | VERSION | STATUS | REVISION |
| | | 10 | RE | E |

Confidential

4

3

2

1

4

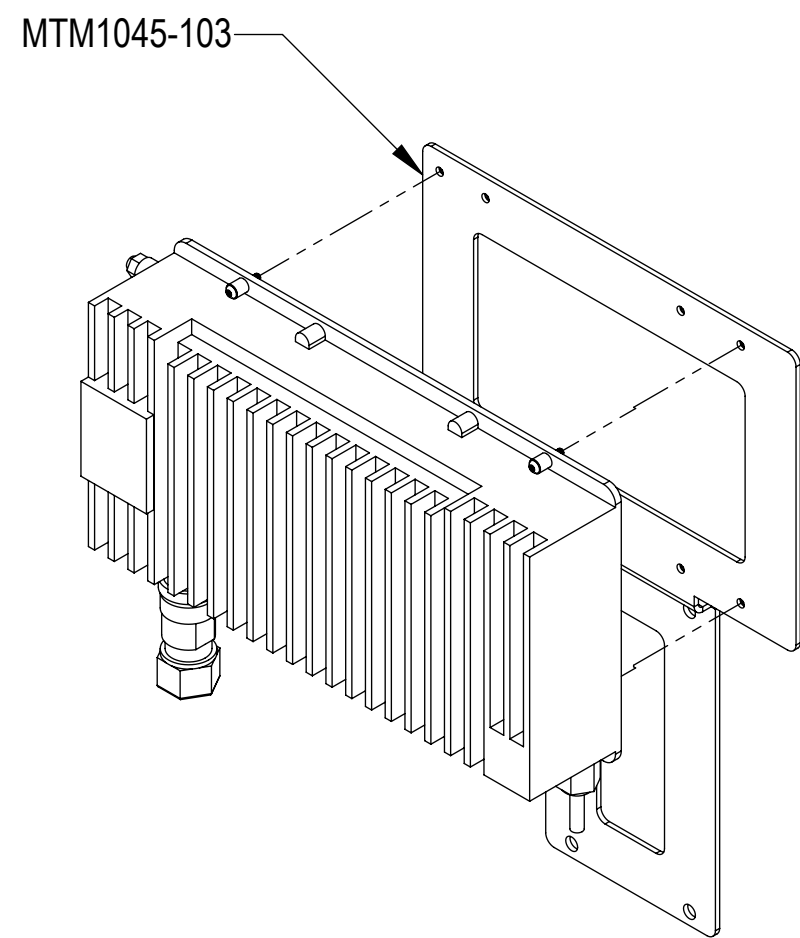
3

2

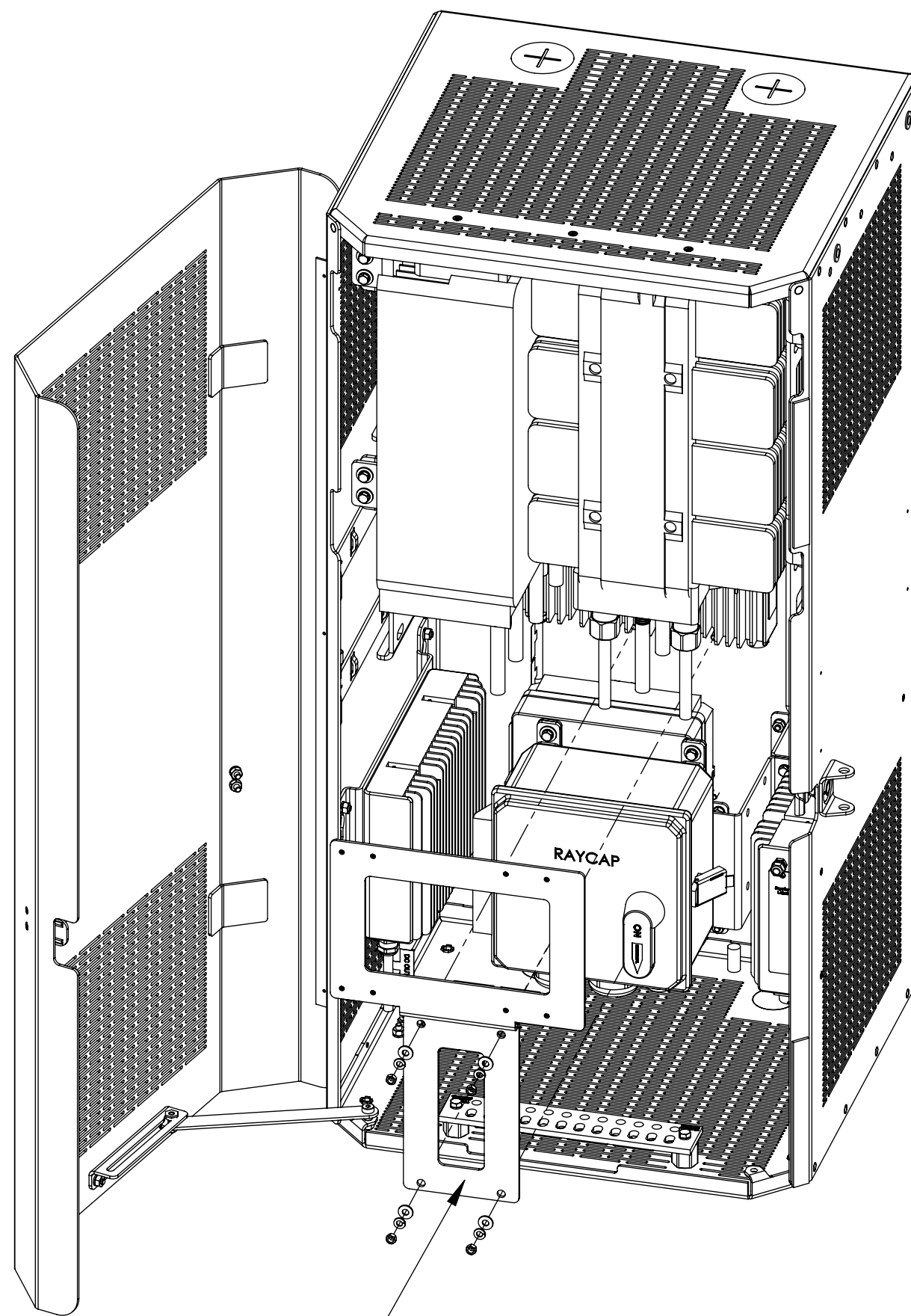
1

NOTES:

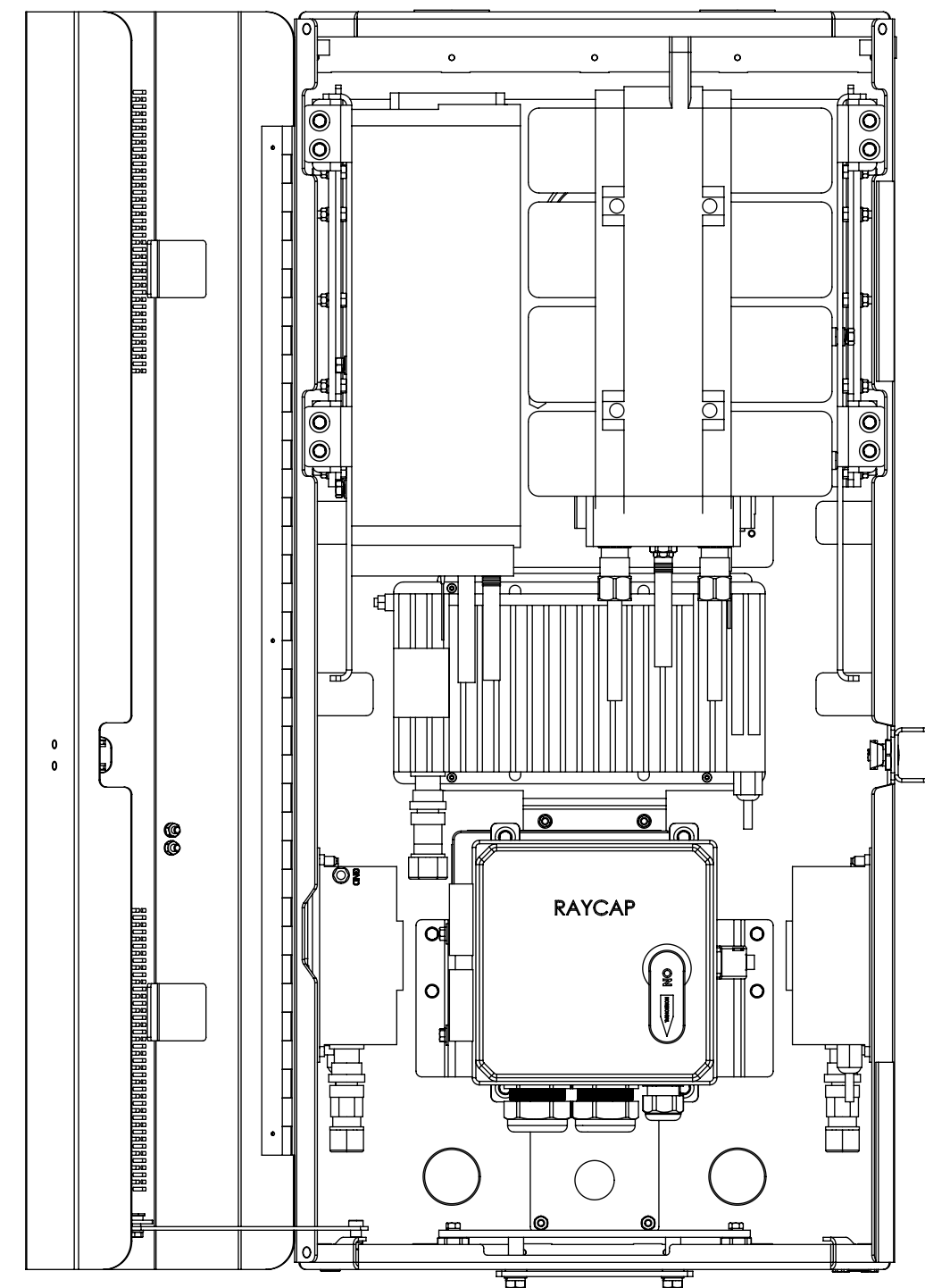
PSU AC02 / AC08 INSTALLATION


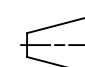


INSTALL THE PSU AC02 / AC08 TO THE BRACKET USING M4 CAPTIVE HARDWARE PROVIDED WITH THE PSU.



INSTALL THE PSU AND BRACKET SUB-ASSEMBLY USING 4X PRE-INSTALLED SET OF 1/4" NUTS, LOCK AND FLAT WASHERS



| | | | | | |
|---|------------|---------------------|--------|----------|-------|
| TITLE | | 760237600E1 INSTALL | | | |
| SIZE | SCALE | DOCUMENT NO. | | | |
| C | 1:6 | 760237600E1 INSTALL | | | |
|   | | DRAWING | | | SHEET |
| | | VERSION | STATUS | REVISION | |
| | | 10 | RE | E | |

Confidential

4

3

2

1

D

D

C

C

B

B

A

A

4

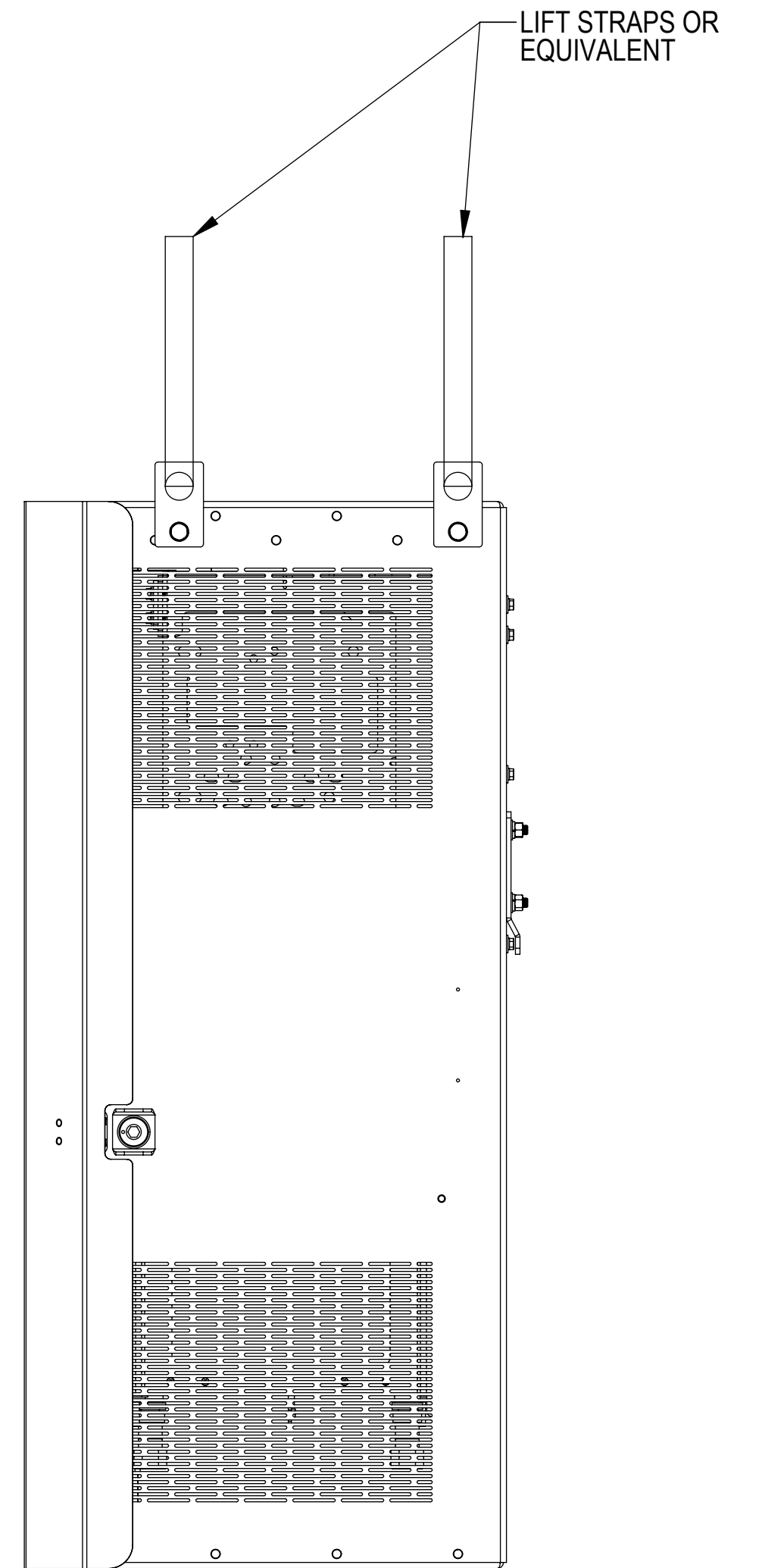
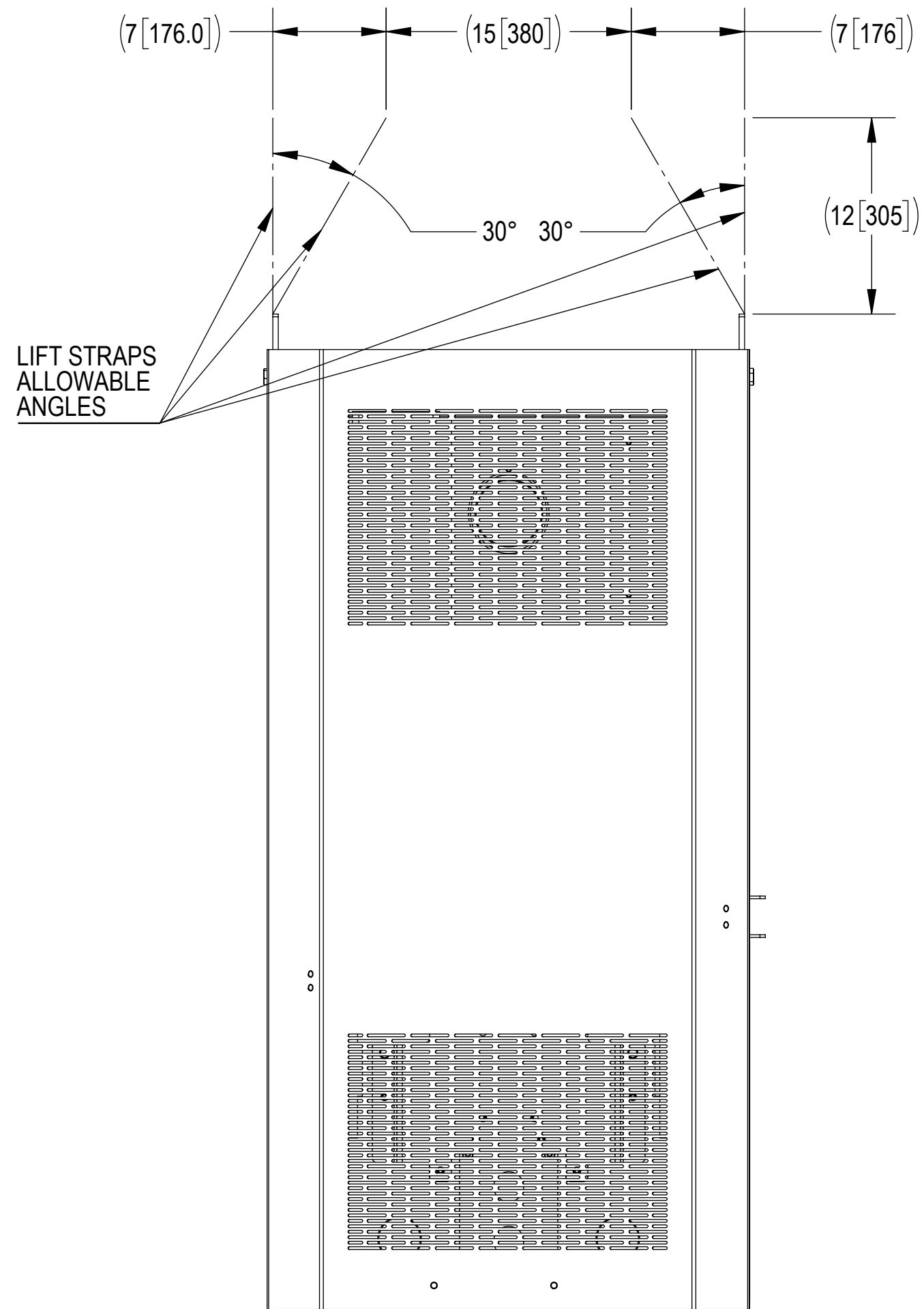
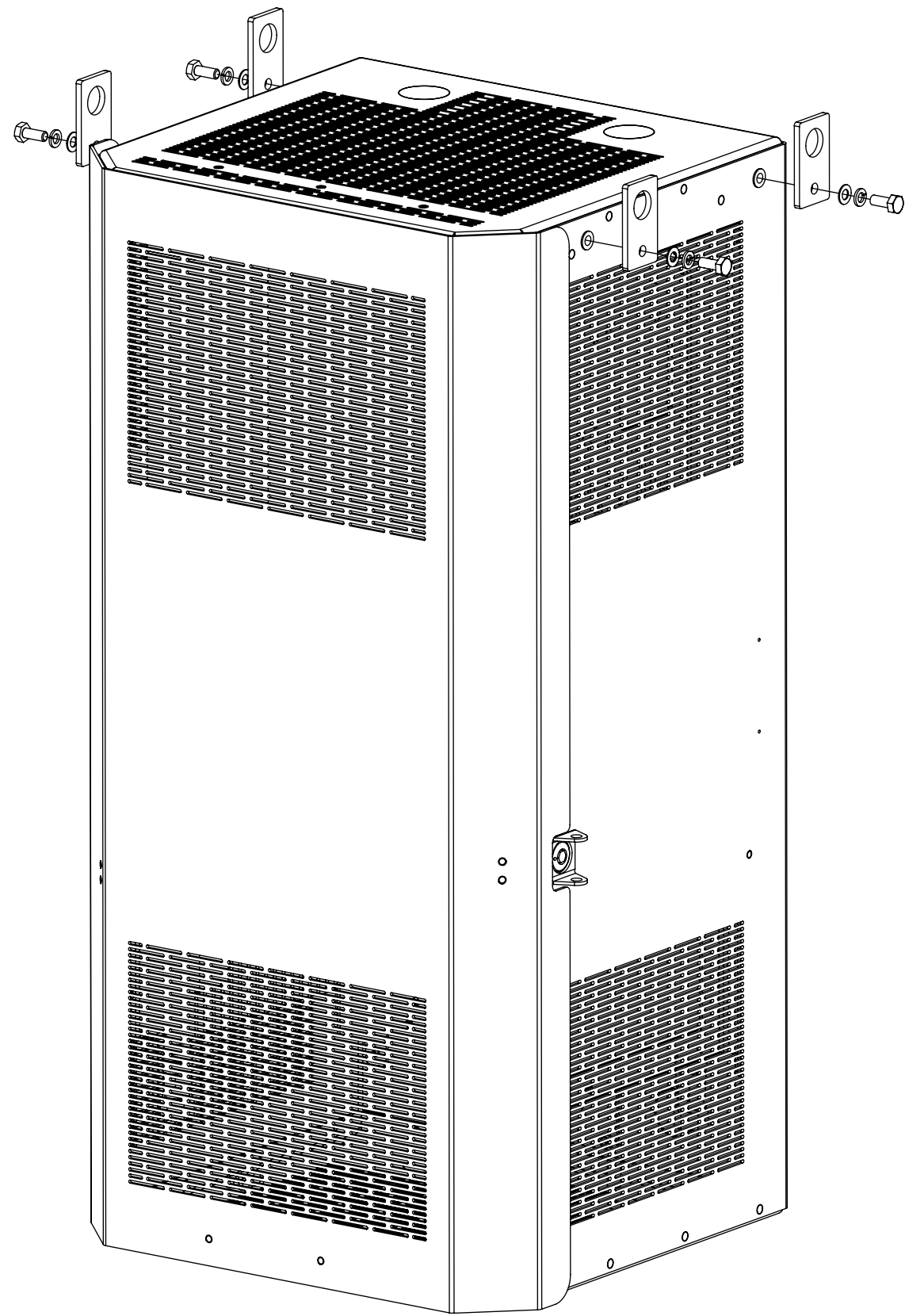
3

2

1

NOTES:


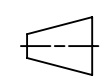
LIFT KIT INSTALLATION



CAUTION

ENCLOSURE LIFT STRAPS OR EQUIVALENT MUST BE WITHIN 30 DEGREES OF VERTICAL AS SHOWN ABOVE



| | | | | |
|---|------------|---------------------|--------|----------|
| TITLE | | 760237600E1 INSTALL | | |
| SIZE | SCALE | DOCUMENT NO. | | |
| C | 1:8 | 760237600E1 INSTALL | | |
|   | | DRAWING | | SHEET |
| | | VERSION | STATUS | REVISION |
| | | 10 | RE | E |

Confidential

4

3

2

1

D

D

C

C

B

B

A

A